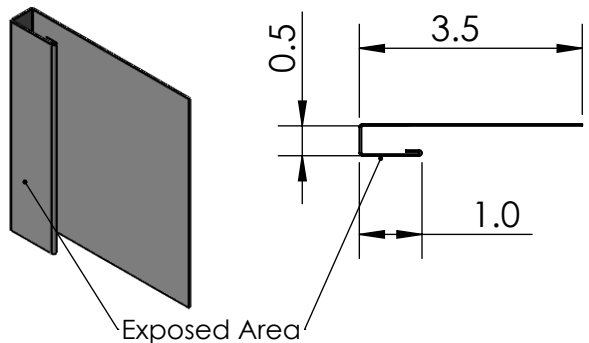
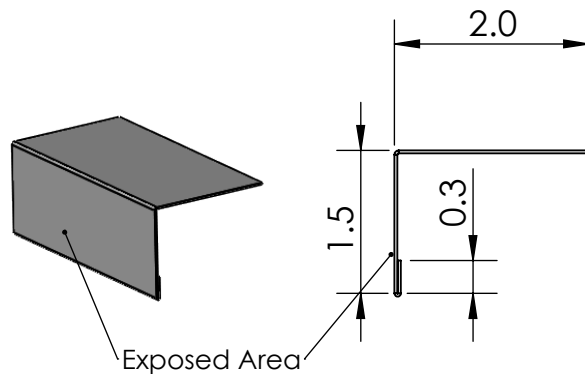


### J-Channel



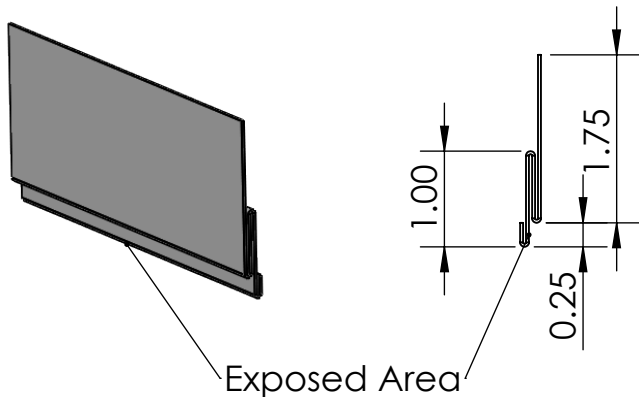
Initials: \_\_\_\_\_  
 Linear 10-ft Quantity: \_\_\_\_\_

### Sill



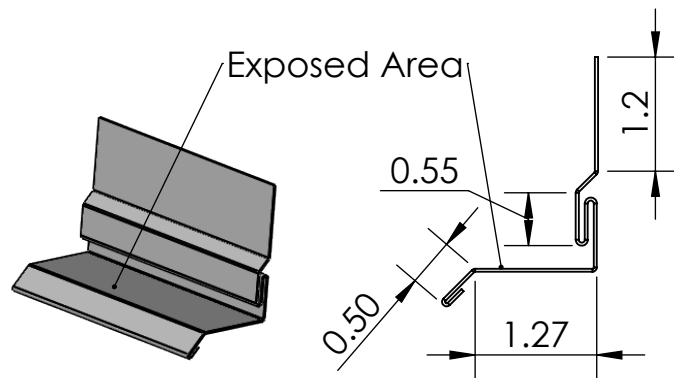
Initials: \_\_\_\_\_  
 Linear 10-ft Quantity: \_\_\_\_\_

### False Starter



Initials: \_\_\_\_\_  
 Linear 10-ft Quantity: \_\_\_\_\_

### Window Head



Initials: \_\_\_\_\_  
 Linear 10-ft Quantity: \_\_\_\_\_

**Standard Wall Flashing**

See pages 2 and 3 for inside and outside corner options and details

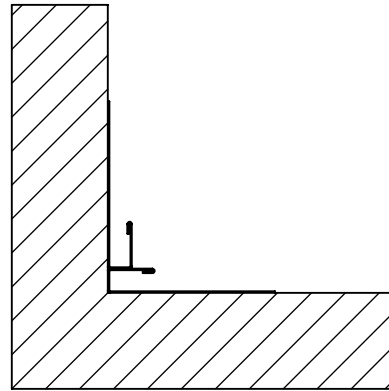
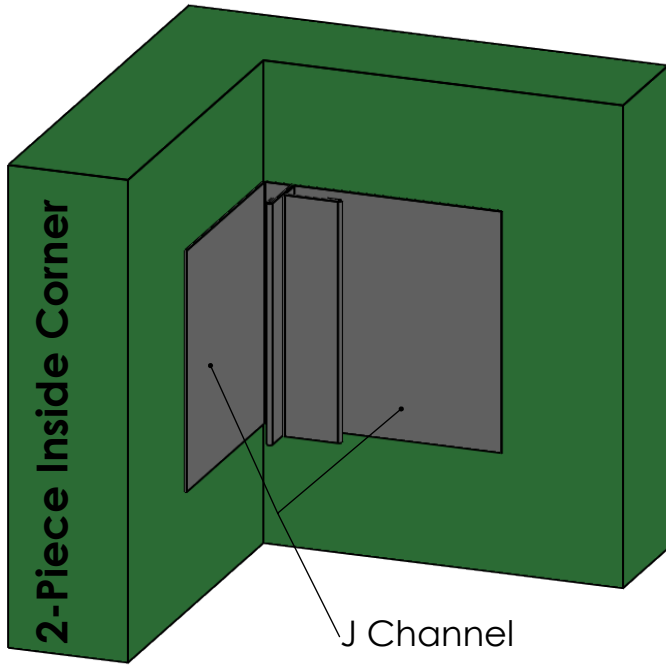
See page 5 to sketch custom flashing details

## Millennium Forms Standards

1

 <b>MILLENNIUM</b> FORMS	Material	Sizes	Finish	Colors
	Stainless Steel 24 ga.	Sold in 10-ft sections	Bright (BA), Mill (2B)	See color selection chart online
Zalmag 24 ga.	Sold in 10-ft sections	Natural, Pre-Patina II, Black	N/A	

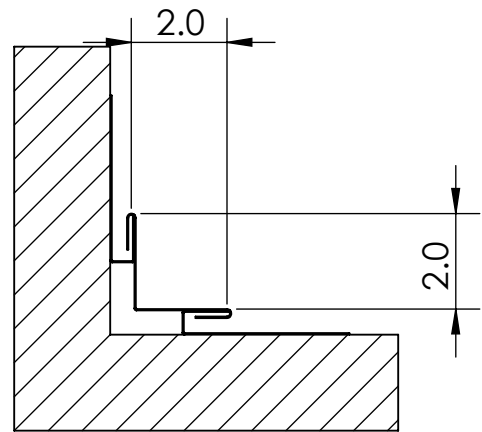
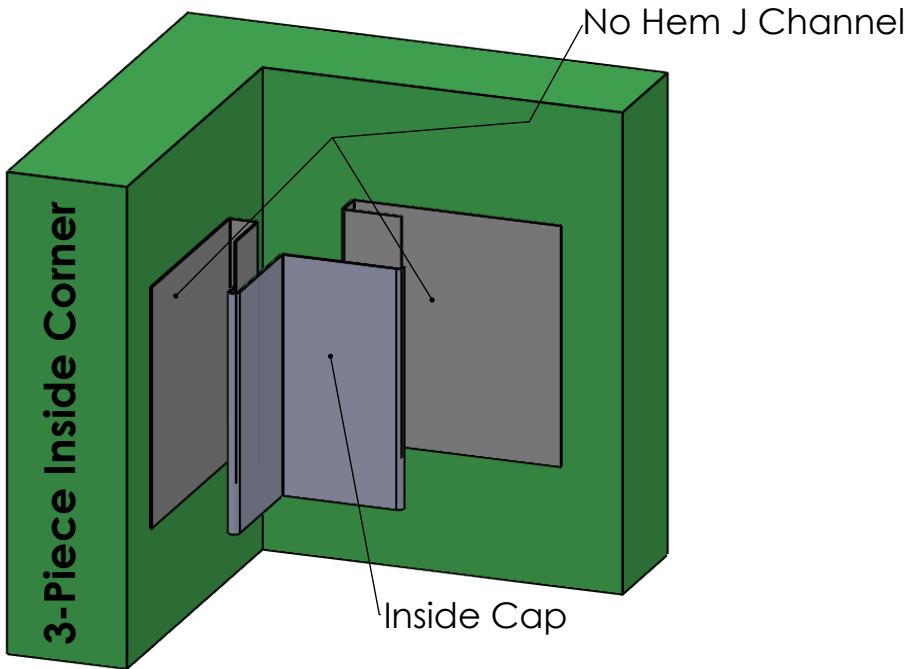
## 2-Piece Inside Corner



Initials: \_\_\_\_\_

Linear 10-ft Quantity: \_\_\_\_\_

## 3-Piece Inside Corner



Initials: \_\_\_\_\_


Linear 10-ft Quantity: \_\_\_\_\_

No Hem J-Channel is NOT colored

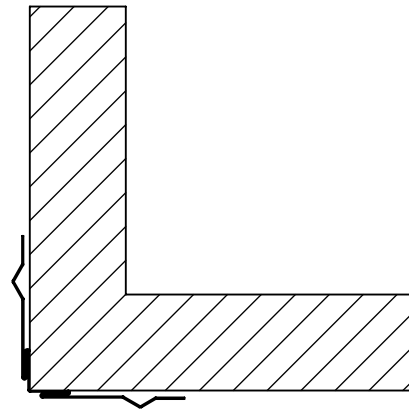
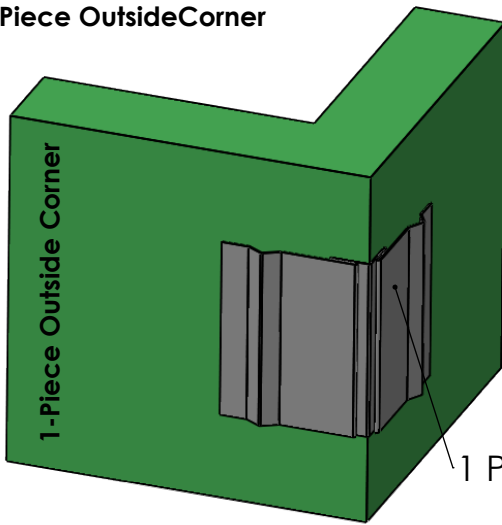
Other Wall Flashing

### Inside Corner Options

2

 <b>MILLENNIUM</b> FORMS	Material	Sizes	Finish	Colors
	Stainless Steel 24 ga.	Sold in 10-ft sections	Bright (BA), Mill (2B)	See color selection chart online
Zalmag 24 ga.	Sold in 10-ft sections	Natural, Pre-Patina II, Black	N/A	

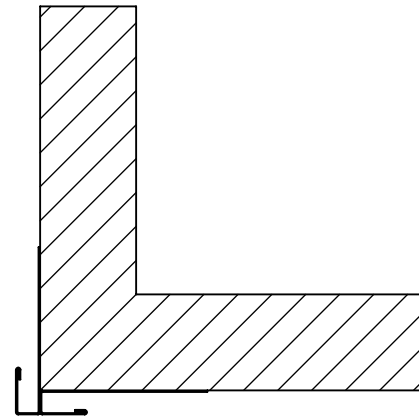
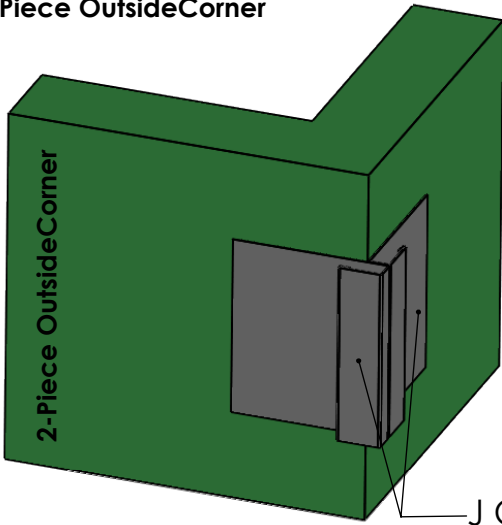
**1-Piece OutsideCorner**



Initials: \_\_\_\_\_

Linear 10-ft Quantity: \_\_\_\_\_

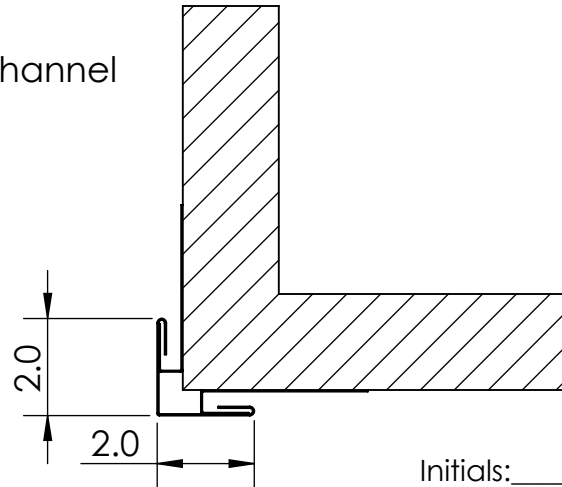
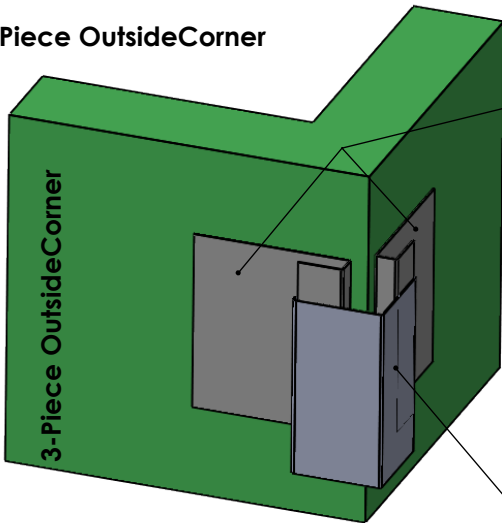
**2-Piece OutsideCorner**



Initials: \_\_\_\_\_

Linear 10-ft Quantity: \_\_\_\_\_

**3-Piece OutsideCorner**




Initials: \_\_\_\_\_

Linear 10-ft Quantity: \_\_\_\_\_

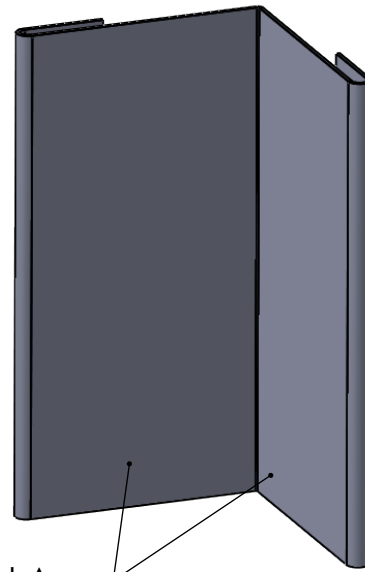
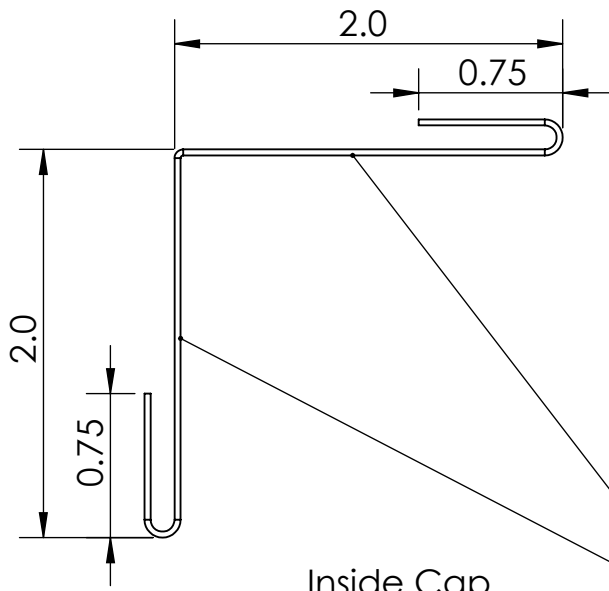
No Hem J-Channel is NOT colored

**Outside Corner Options**

3

 <b>MILLENNIUM</b> F O R M S	Material	Sizes	Finish	Colors
	Stainless Steel 24 ga.	Sold in 10-ft sections	Bright (BA), Mill (2B)	See color selection chart online
Zalmag 24 ga.	Sold in 10-ft sections	Natural, Pre-Patina II, Black	N/A	

### Inside Cap

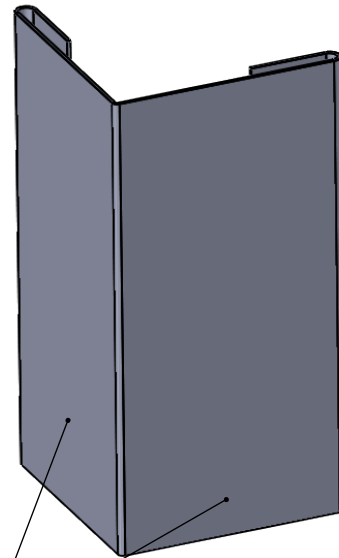
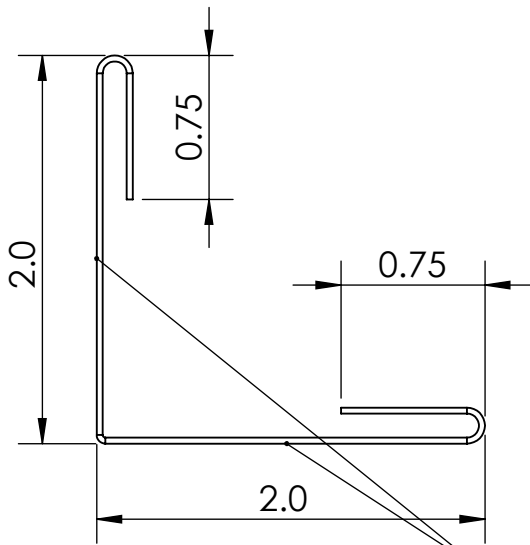


Inside Cap

Exposed Area

Initials: \_\_\_\_\_

### Outside Cap



Outside Cap

Exposed Area

Initials: \_\_\_\_\_

## Inside & Outside Corner Caps

4

 <b>MILLENNIUM</b> F O R M S	Material	Sizes	Finish	Colors
	Stainless Steel 24 ga.	Sold in 10-ft sections	Bright (BA), Mill (2B)	See color selection chart online
Zalmag 24 ga.	Sold in 10-ft sections	Natural, Pre-Patina II, Black	N/A	

Project Name: \_\_\_\_\_

Name: \_\_\_\_\_

Project Architect: \_\_\_\_\_

Company: \_\_\_\_\_

Project Completion Date: \_\_\_\_\_

Date: \_\_\_\_\_

Draw Here:

Custom Wall Flashing

Initials: \_\_\_\_\_

Linear 10-ft Quantity: \_\_\_\_\_

Instructions:

1. Draw section view of flashing piece requested
2. Include all critical dimensions
3. Inform Millenium Forms that you would like a custom piece. We will review and confirm feasibility.

### Custom Flashing

5

 <b>MILLENNIUM</b> F O R M S	Material	Sizes	Finish	Colors
	Stainless Steel 24 ga.	Sold in 10-ft sections	Bright (BA), Mill (2B)	See color selection chart online
Zalmag 24 ga.	Sold in 10-ft sections	Natural, Pre-Patina II, Black	N/A	

Revised 7/9/2018