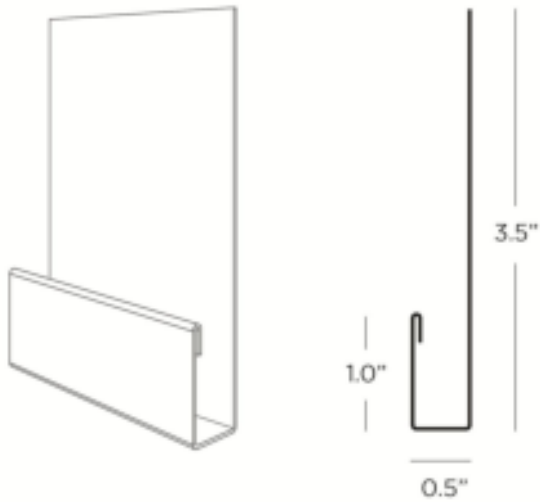
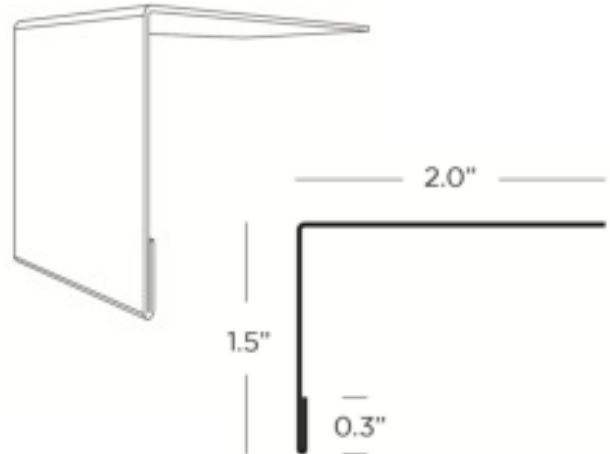


J-Channel



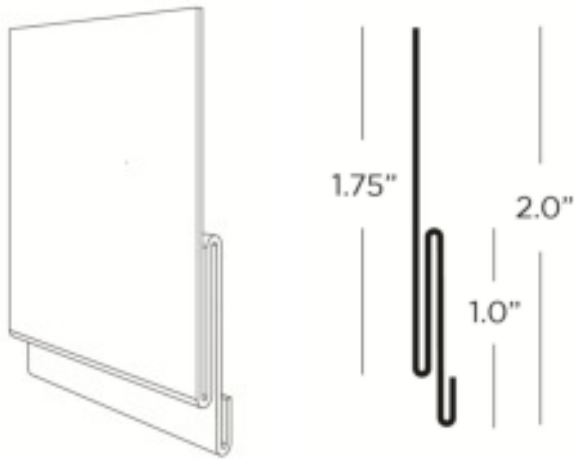
Initials: _____
 Linear 10-ft Quantity: _____

Sill



Initials: _____
 Linear 10-ft Quantity: _____

False Starter



Initials: _____
 Linear 10-ft Quantity: _____

Window Head



Initials: _____
 Linear 10-ft Quantity: _____


Standard Wall Flashing

See pages 2 and 3 for inside and outside corner options and details

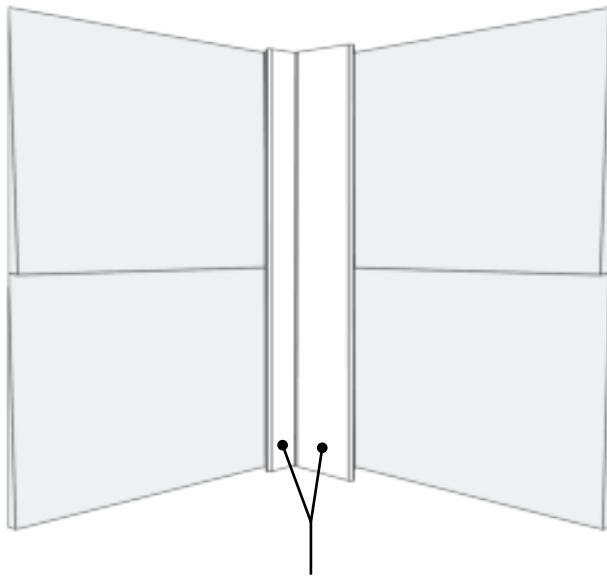
See page 5 to sketch custom flashing details

Millennium Forms Standards

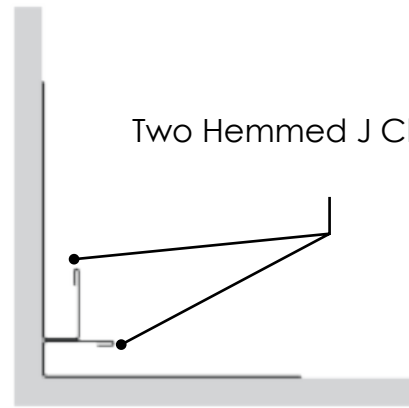
1

	Material	Sizes	Finish	Colors
	Stainless Steel 24 ga.	Sold in 10-ft sections	Bright (BA), Mill (2B)	See color selection chart online
Zalmag 24 ga.	Sold in 10-ft sections	Natural, Pre-Patina II, Black	N/A	

2-Piece Inside Corner



J Channels

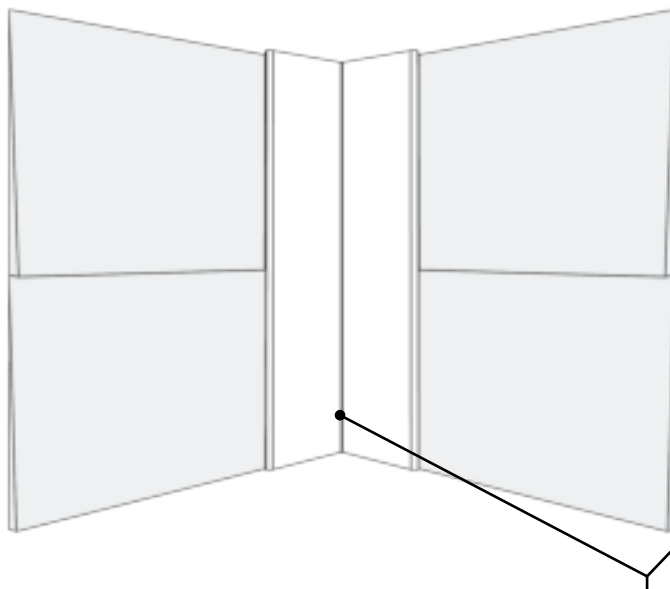


Two Hemmed J Channels

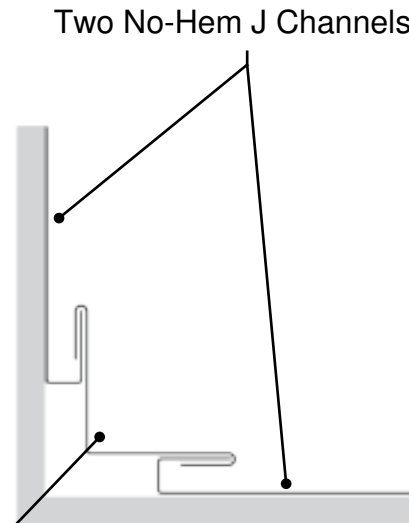
Initials: _____

Linear 10-ft Quantity: _____

3-Piece Inside Corner



One Inside Corner Cap




Two No-Hem J Channels

Initials: _____

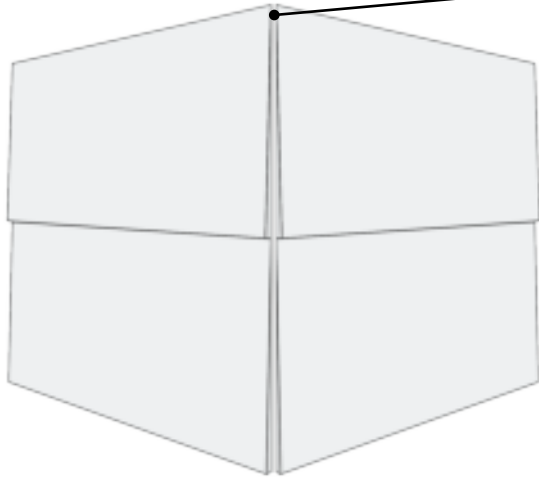
Linear 10-ft Quantity: _____

Inside Corner Options

2

 MILLENNIUM FORMS	Material	Sizes	Finish	Colors
	Stainless Steel 24 ga.	Sold in 10-ft sections	Bright (BA), Mill (2B)	See color selection chart online
Zalmag 24 ga.	Sold in 10-ft sections	Natural, Pre-Patina II, Black	N/A	

1-Piece OutsideCorner



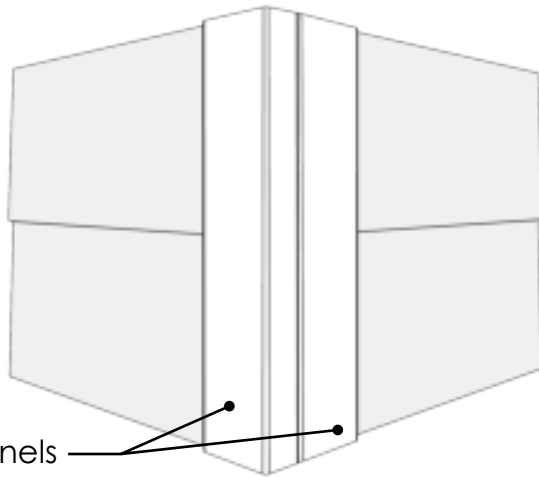
Flashing is hidden behind cladding



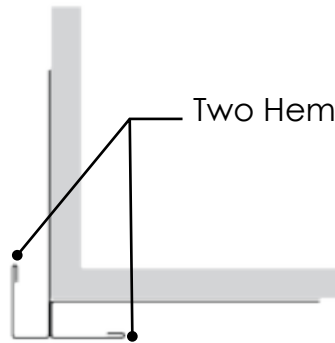
Initials: _____

Linear 10-ft Quantity: _____

2-Piece OutsideCorner



J Channels

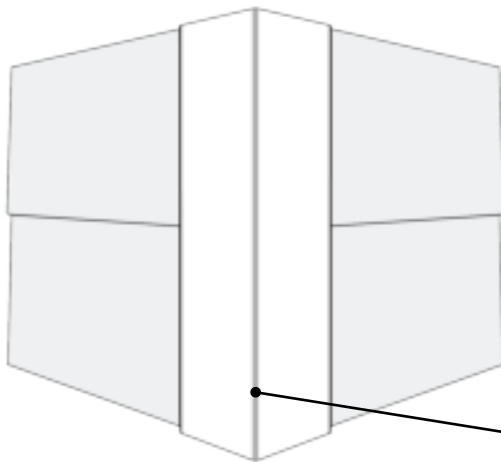


Two Hemmed J Channels

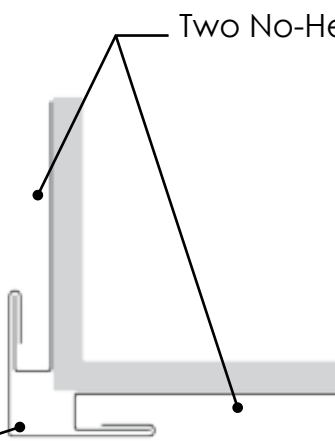
Initials: _____

Linear 10-ft Quantity: _____

3-Piece OutsideCorner



One Inside Corner Cap



Two No-Hem J Channels

Initials: _____

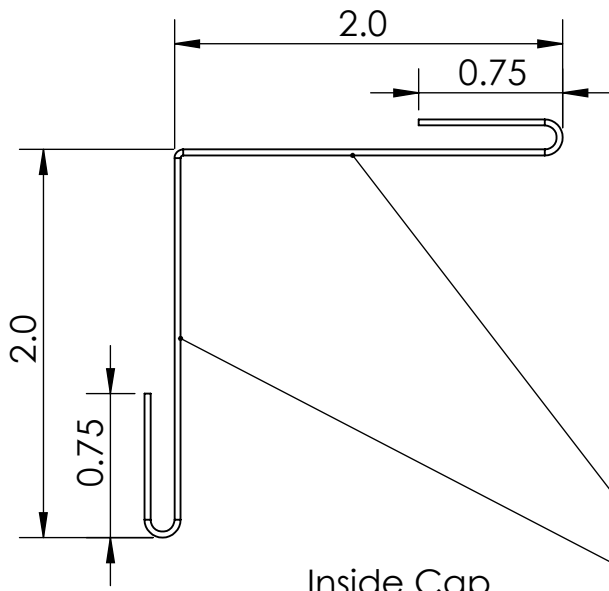
Linear 10-ft Quantity: _____

Outside Corner Options

3

	Material	Sizes	Finish	Colors
	Stainless Steel 24 ga.	Sold in 10-ft sections	Bright (BA), Mill (2B)	See color selection chart online
Zalmag 24 ga.	Sold in 10-ft sections	Natural, Pre-Patina II, Black	N/A	

Inside Cap

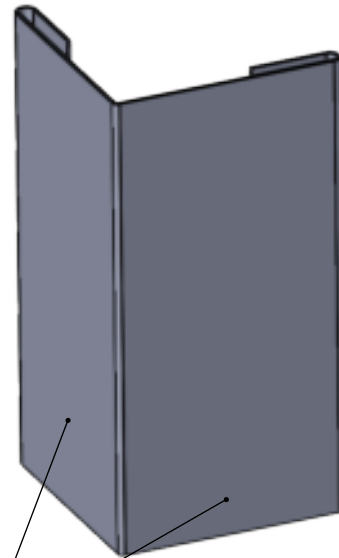
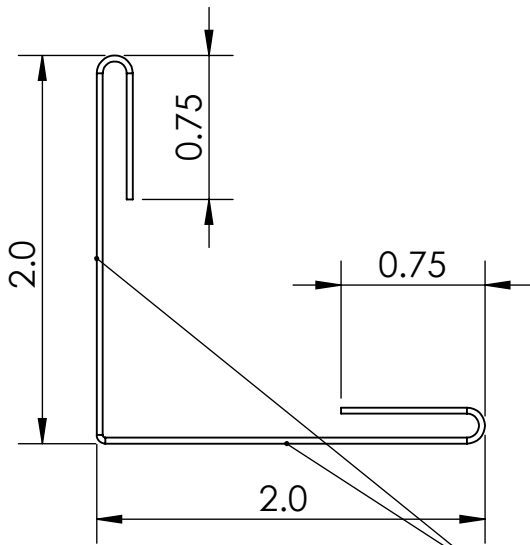


Inside Cap

Exposed Area

Initials: _____

Outside Cap



Outside Cap

Exposed Area

Initials: _____

Inside & Outside Corner Caps

4

 MILLENNIUM FORMS	Material	Sizes	Finish	Colors
	Stainless Steel 24 ga.	Sold in 10-ft sections	Bright (BA), Mill (2B)	See color selection chart online
	Zalmag 24 ga.	Sold in 10-ft sections	Natural, Pre-Patina II, Black	N/A

Project Name: _____

Name: _____

Project Architect: _____

Company: _____

Project Completion Date: _____

Date: _____

Draw Here:

Custom Wall Flashing

Initials: _____


Linear 10-ft Quantity: _____

Instructions:

1. Draw section view of flashing piece requested
2. Include all critical dimensions
3. Inform Millenium Forms that you would like a custom piece. We will review and confirm feasibility.

Custom Flashing

5

	Material	Sizes	Finish	Colors
	Stainless Steel 24 ga.	Sold in 10-ft sections	Bright (BA), Mill (2B)	See color selection chart online
Zalmag 24 ga.	Sold in 10-ft sections	Natural, Pre-Patina II, Black	N/A	

Revised 08/16/21