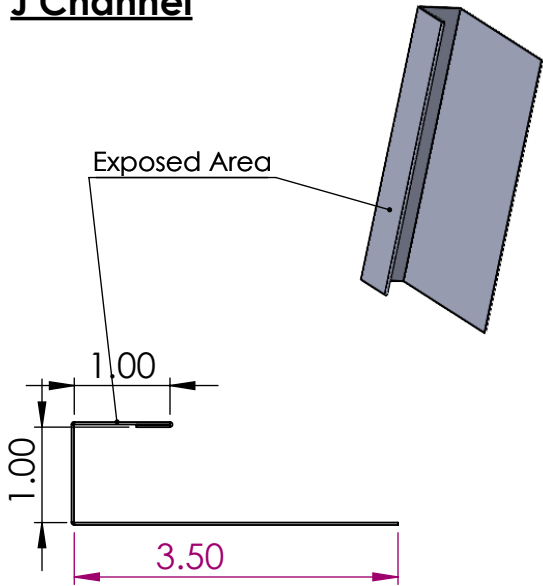


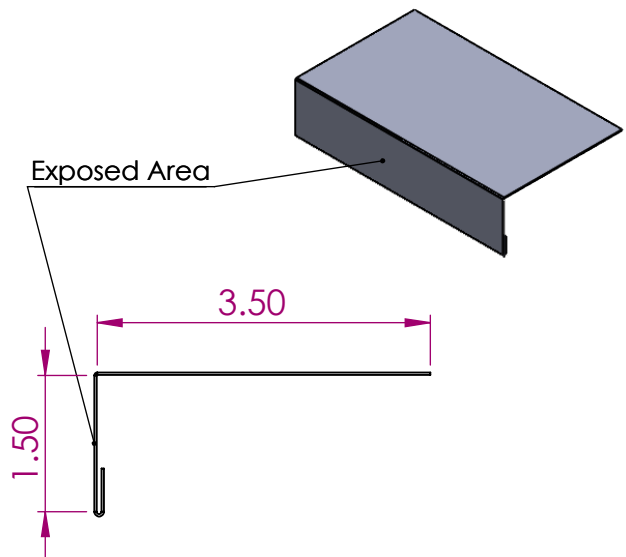
J Channel



Initials: _____

Linear 10-ft Quantity: _____

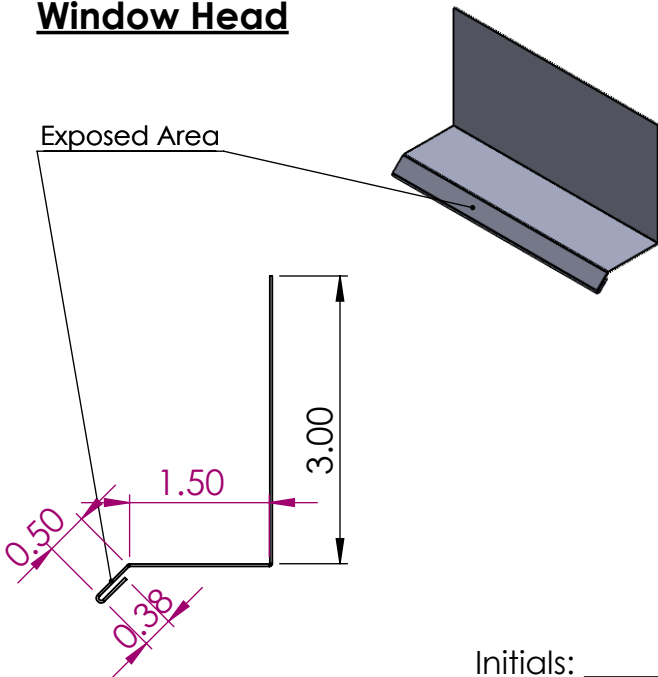
Sill



Initials: _____

Linear 10-ft Quantity: _____

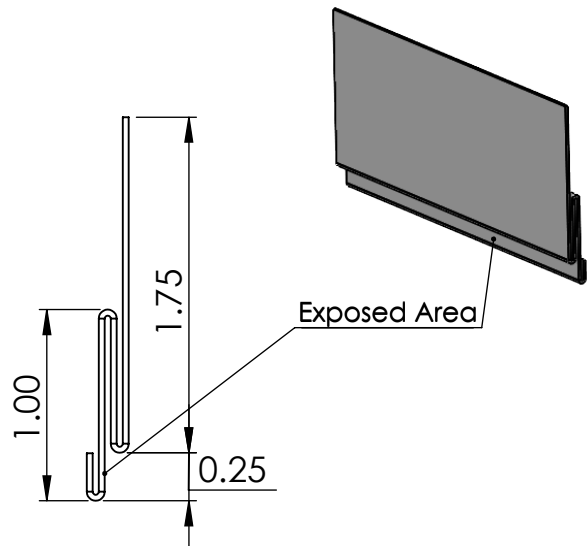
Window Head



Initials: _____

Linear 10-ft Quantity: _____

False Starter




Initials: _____

Linear 10-ft Quantity: _____

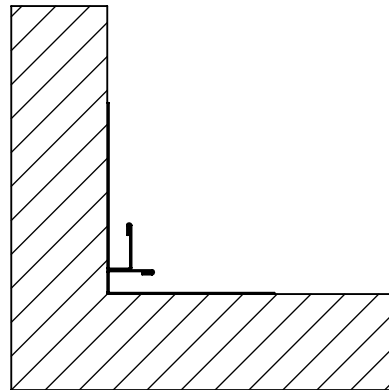
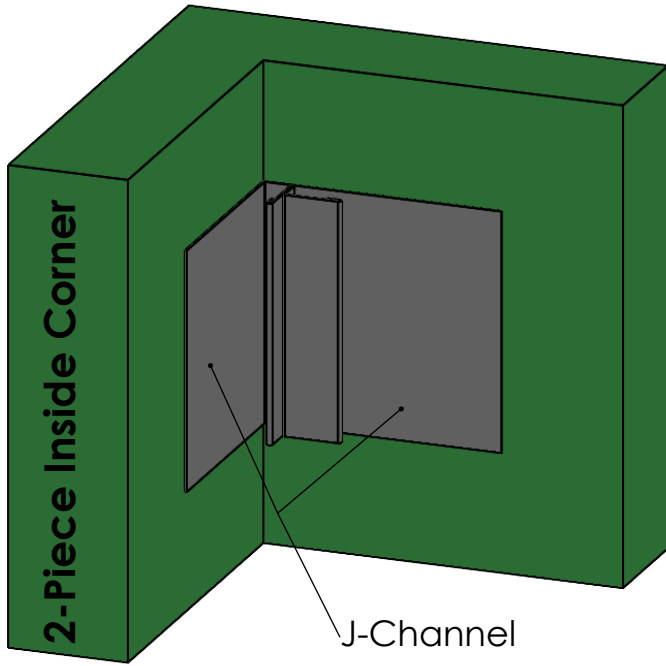
Flush Reveal Panel Flashings

Millennium Forms Standards

1

	Material	Colors	Finish	Sizes
	Stainless Steel	See website for color selection chart	Bright (BA) Mill (2B)	24 gauge (.024" nominal) All flashings fabricated at max 10' length
Zalmag	N/A	Natural Pre-Patina II Black	24 gauge (.024" nominal) All flashings fabricated at max 10' length	

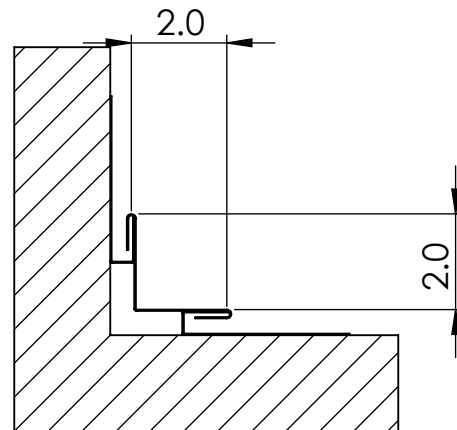
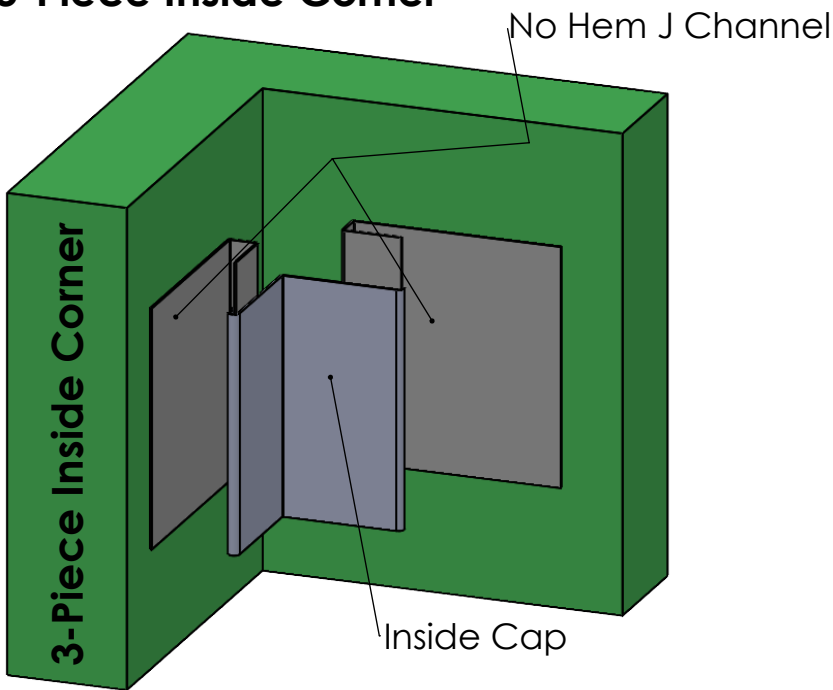
2-Piece Inside Corner



Initials: _____

Linear 10-ft Quantity: _____

3-Piece Inside Corner



Initials: _____

Linear 10-ft Quantity: _____

No Hem J-Channel is NOT colored

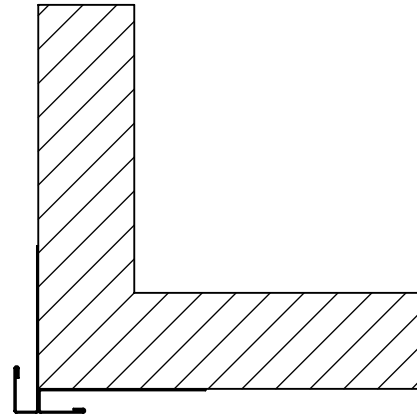
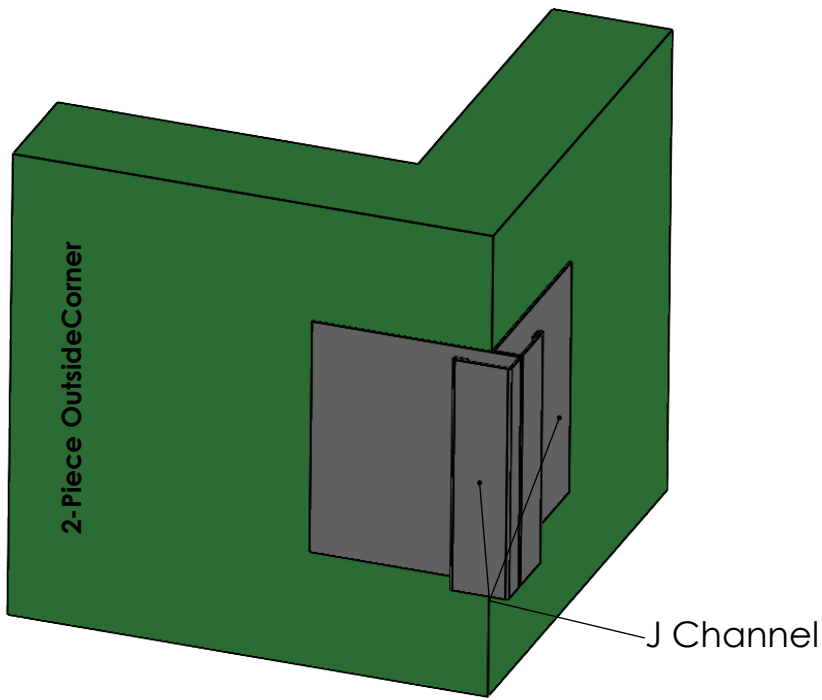
Other Wall Flashing

Inside Corner Options (2)(2)

2

 MILLENNIUM FORMS	Material	Sizes	Finish	Colors
	Stainless Steel 24 ga.	Sold in 10-ft sections	Bright (BA), Mill (2B)	See color selection chart online
Zalmag 24 ga.	Sold in 10-ft sections	Natural, Pre-Patina II, Black	N/A	

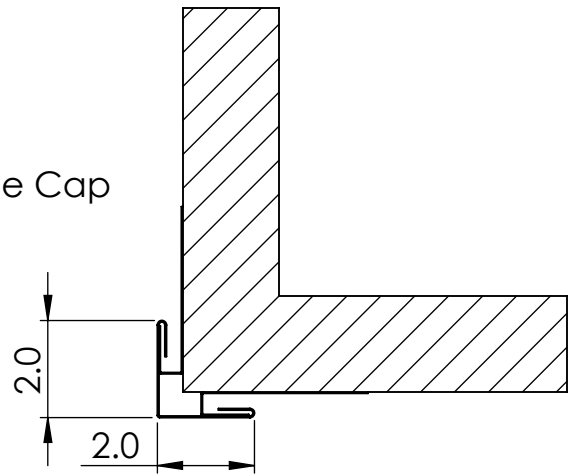
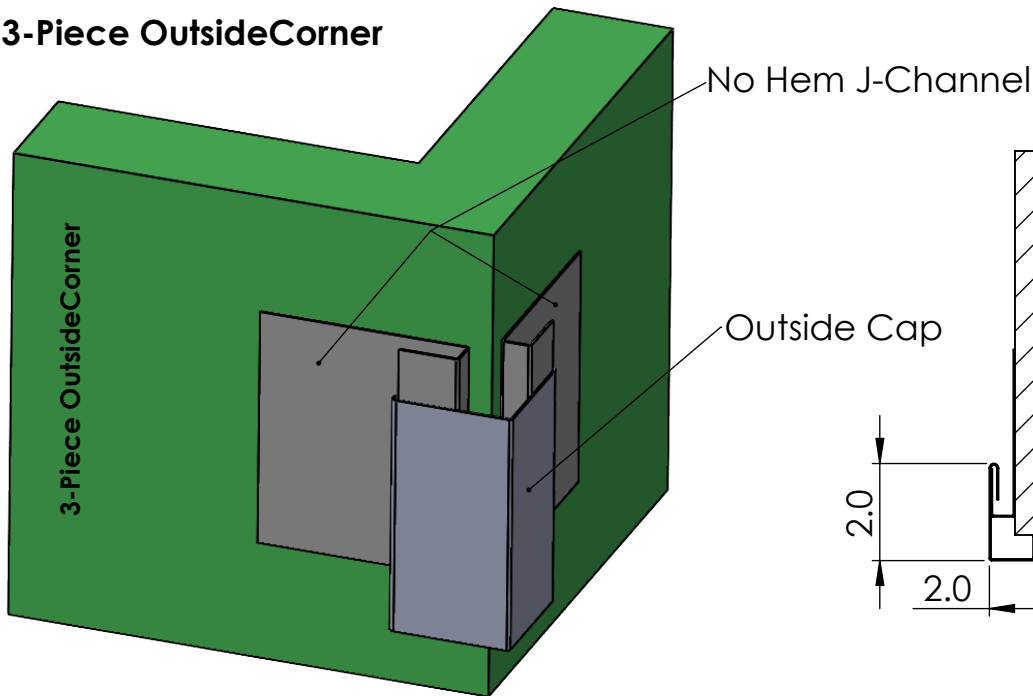
2-Piece Outside Corner



Initials: _____

Linear 10-ft Quantity: _____

3-Piece Outside Corner



Initials: _____

No Hem J-Channel is NOT colored

Linear 10-ft Quantity: _____

Outside Corner Options(2)(2)

3

 MILLENNIUM FORMS	Material	Sizes	Finish	Colors
	Stainless Steel 24 ga.	Sold in 10-ft sections	Bright (BA), Mill (2B)	See color selection chart online
Zalmag 24 ga.	Sold in 10-ft sections	Natural, Pre-Patina II, Black	N/A	

Other Wall Flashing

Project Name: _____

Name: _____

Project Architect: _____

Company: _____

Project Completion Date: _____

Date: _____

Draw Here:

Custom Wall Flashing

Initials: _____

Linear 10-ft Quantity: _____

Instructions:

1. Draw section view of flashing piece requested
2. Include all critical dimensions
3. Inform Millennium Forms that you would like a custom piece. We will review and confirm feasibility.

Custom Flashing(2)

4

 MILLENNIUM F O R M S	Material	Sizes	Finish	Colors
	Stainless Steel 24 ga.	Sold in 10-ft sections	Bright (BA), Mill (2B)	See color selection chart online
	Zalmag 24 ga.	Sold in 10-ft sections	Natural, Pre-Patina II, Black	N/A