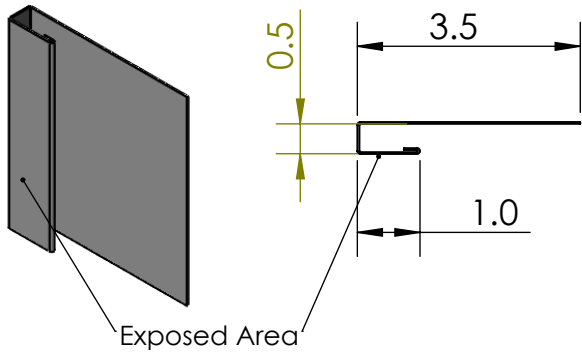
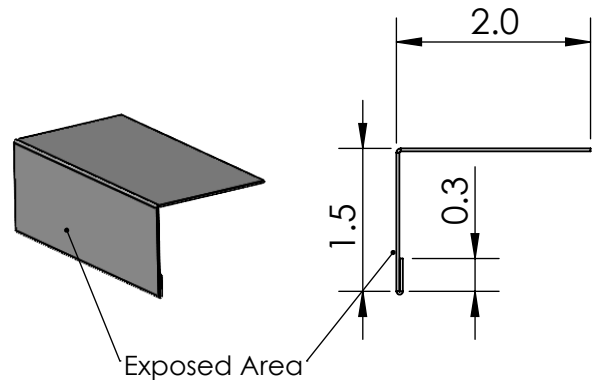


J-Channel



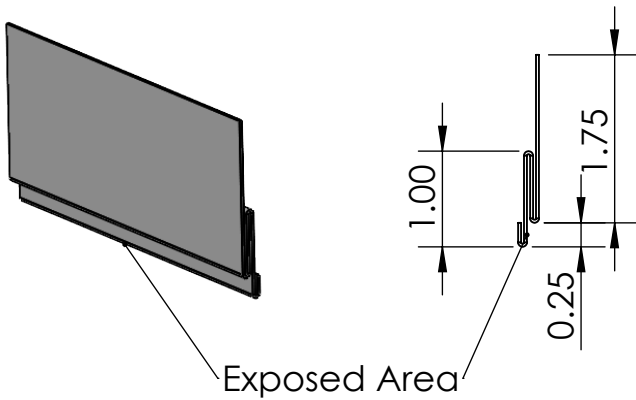
Initials: _____
 Linear 10-ft Quantity: _____

Sill



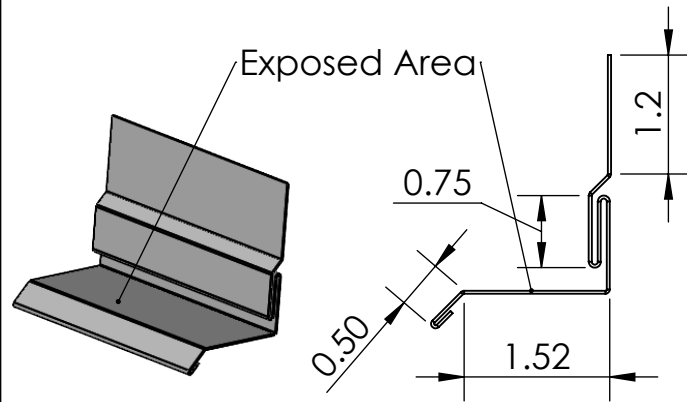
Initials: _____
 Linear 10-ft Quantity: _____

False Starter



Initials: _____
 Linear 10-ft Quantity: _____

Window Head



Initials: _____
 Linear 10-ft Quantity: _____

See pages 2 and 3 for inside and outside corner options and details

See page 5 to sketch custom flashing details

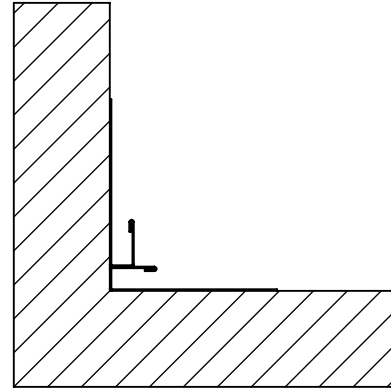
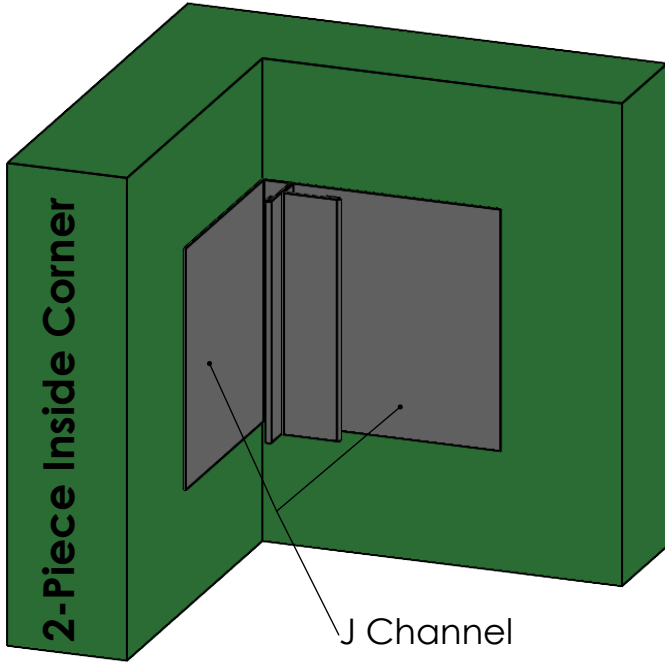
Tile, Flat Lock, and Lay Flat Flashings

Millennium Forms Standards

1

	Material	Sizes	Finish	Colors
	Stainless Steel 24 ga.	Sold in 10-ft sections	Bright (BA), Mill (2B)	See color selection chart online
Zalmag 24 ga.	Sold in 10-ft sections	Natural, Pre-Patina II, Black	N/A	

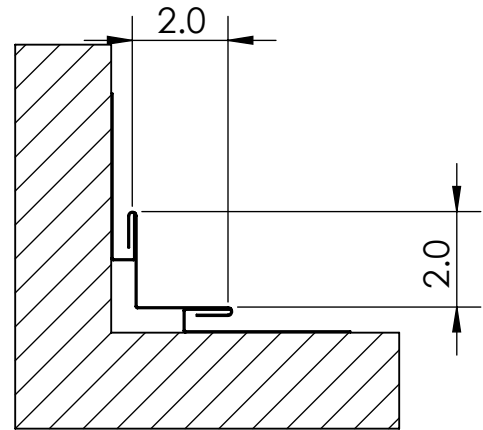
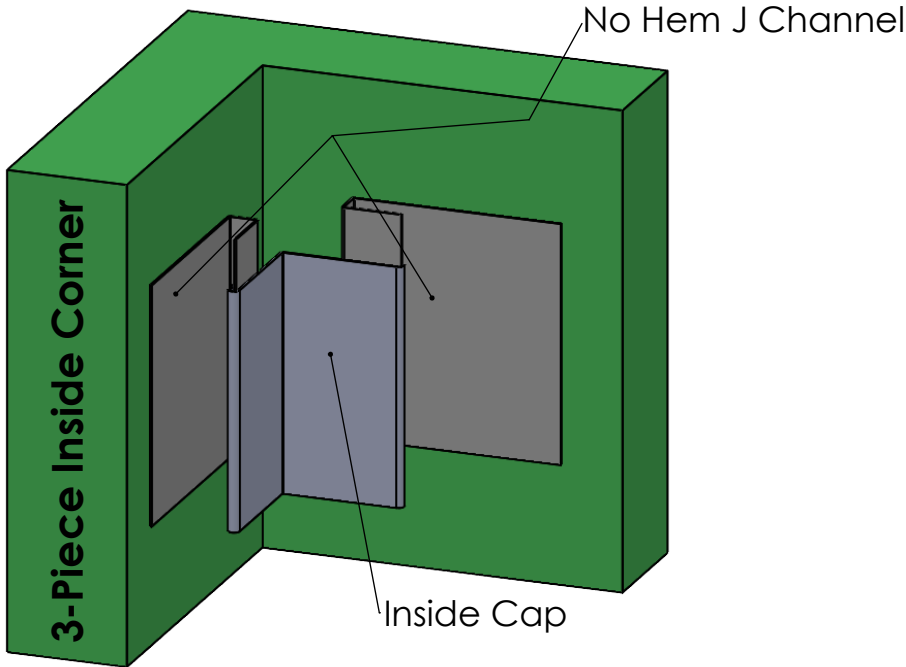
2-Piece Inside Corner



Initials: _____

Linear 10-ft Quantity: _____

3-Piece Inside Corner



Initials: _____

Linear 10-ft Quantity: _____

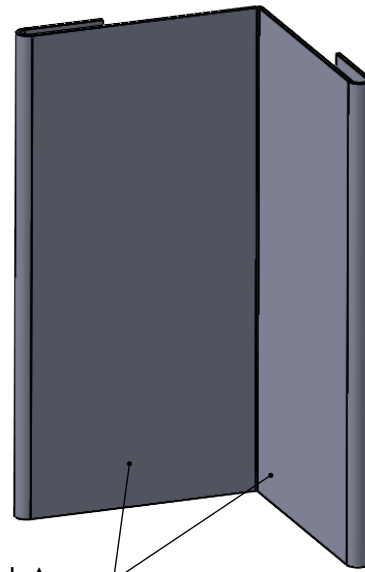
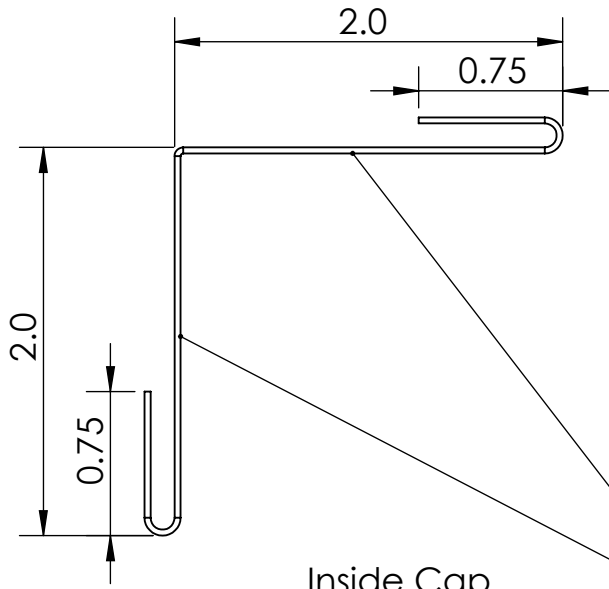
No Hem J-Channel is NOT colored

Inside Corner Options

2

 MILLENNIUM FORMS	Material	Sizes	Finish	Colors
	Stainless Steel 24 ga.	Sold in 10-ft sections	Bright (BA), Mill (2B)	See color selection chart online
Zalmag 24 ga.	Sold in 10-ft sections	Natural, Pre-Patina II, Black	N/A	

Inside Cap

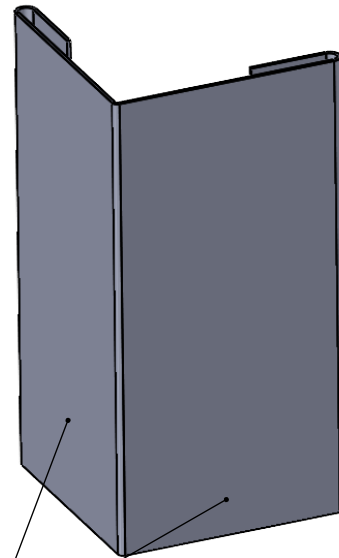
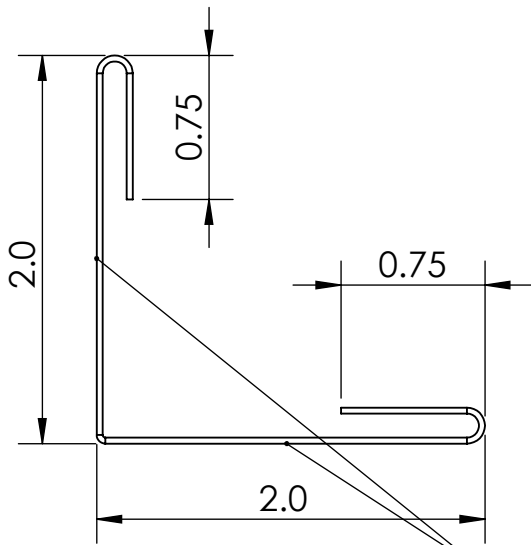


Inside Cap

Exposed Area

Initials: _____

Outside Cap




Outside Cap

Exposed Area

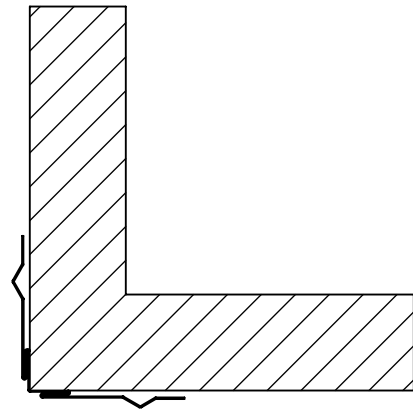
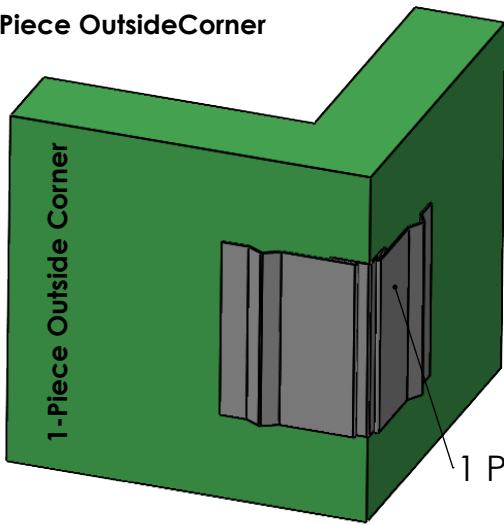
Initials: _____

Inside & Outside Corner Caps

3

 MILLENNIUM F O R M S	Material	Sizes	Finish	Colors
	Stainless Steel 24 ga.	Sold in 10-ft sections	Bright (BA), Mill (2B)	See color selection chart online
	Zalmag 24 ga.	Sold in 10-ft sections	Natural, Pre-Patina II, Black	N/A

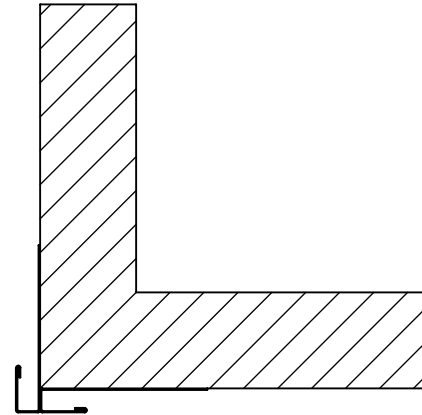
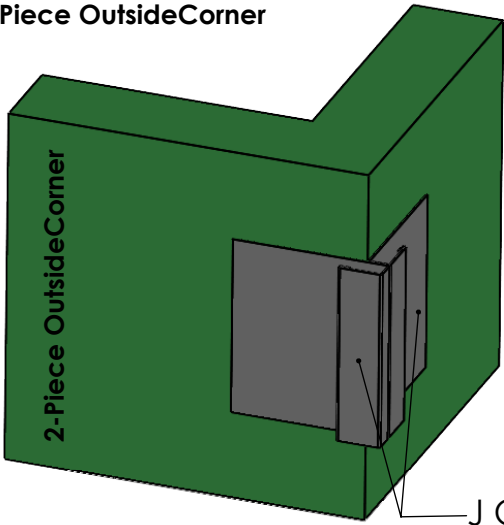
1-Piece OutsideCorner



Initials: _____

Linear 10-ft Quantity: _____

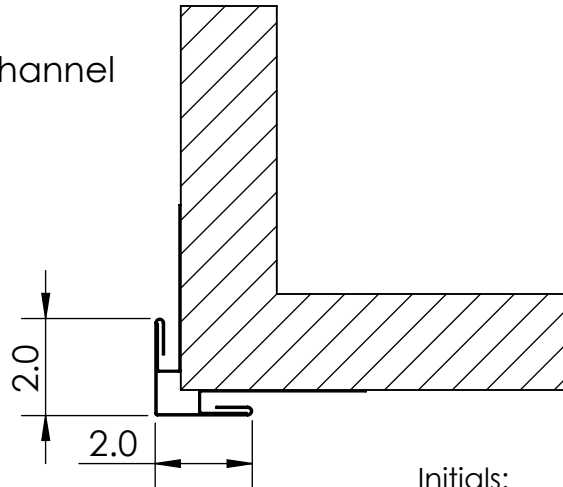
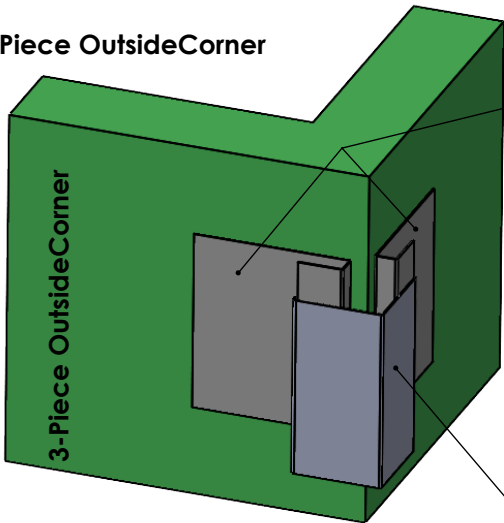
2-Piece OutsideCorner



Initials: _____

Linear 10-ft Quantity: _____

3-Piece OutsideCorner



Initials: _____

Linear 10-ft Quantity: _____

No Hem J-Channel is NOT colored

Outside Corner Options

4

 MILLENNIUM FORMS	Material	Sizes	Finish	Colors
	Stainless Steel 24 ga.	Sold in 10-ft sections	Bright (BA), Mill (2B)	See color selection chart online
Zalmag 24 ga.	Sold in 10-ft sections	Natural, Pre-Patina II, Black	N/A	

Project Name: _____

Name: _____

Project Architect: _____

Company: _____

Project Completion Date: _____

Date: _____

Draw Here:

Custom Wall Flashing

Initials: _____

Linear 10-ft Quantity: _____

Instructions:

1. Draw section view of flashing piece requested
2. Include all critical dimensions
3. Inform Millennium Forms that you would like a custom piece. We will review and confirm feasibility.

Custom Flashing

5

 MILLENNIUM F O R M S	Material	Sizes	Finish	Colors
	Stainless Steel 24 ga.	Sold in 10-ft sections	Bright (BA), Mill (2B)	See color selection chart online
Zalmag 24 ga.	Sold in 10-ft sections	Natural, Pre-Patina II, Black	N/A	