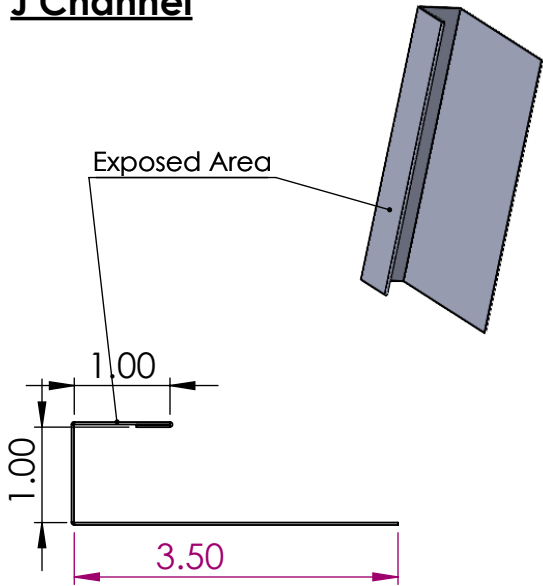


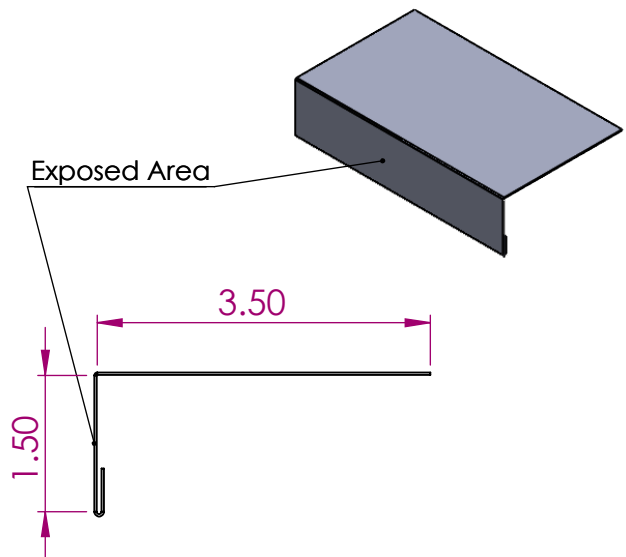
### J Channel



Initials: \_\_\_\_\_

Linear 10-ft Quantity: \_\_\_\_\_

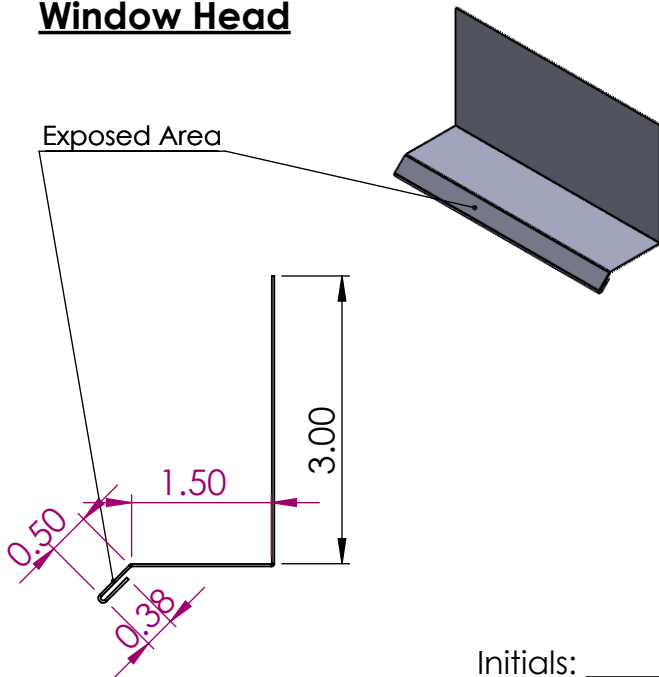
### Sill



Initials: \_\_\_\_\_

Linear 10-ft Quantity: \_\_\_\_\_

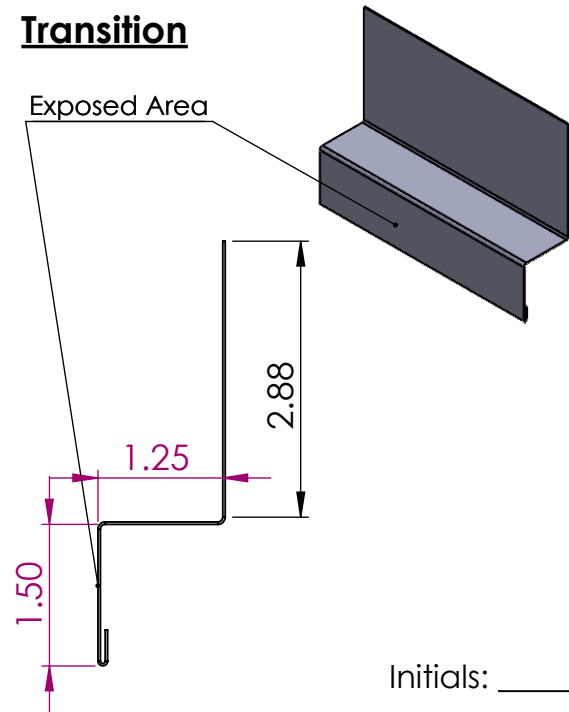
### Window Head



Initials: \_\_\_\_\_

Linear 10-ft Quantity: \_\_\_\_\_

### Transition




Initials: \_\_\_\_\_

Linear 10-ft Quantity: \_\_\_\_\_

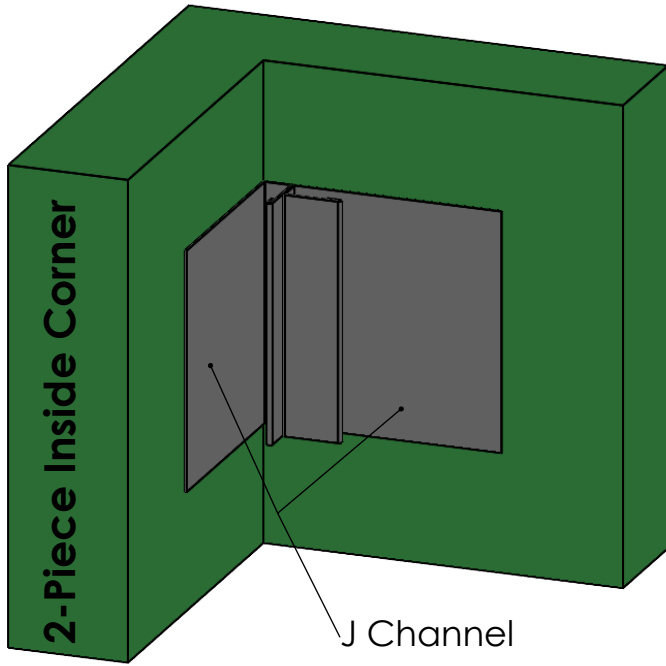
**Tongue & Groove Flashings**

## Millennium Forms Standards

1

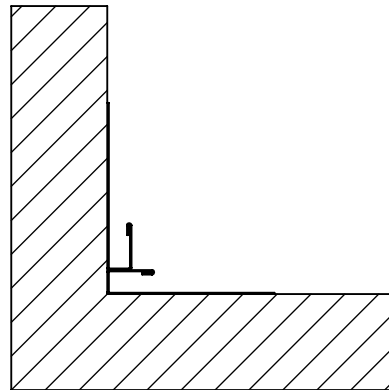
	Material	Colors	Finish	Sizes
	Stainless Steel	See website for color selection chart	Bright (BA) Mill (2B)	24 gauge (.024" nominal) All flashings fabricated at max 10' length
	Zalmag	N/A	Natural Pre-Patina II Black	24 gauge (.024" nominal) All flashings fabricated at max 10' length

## 2-Piece Inside Corner



### J Channel Depth

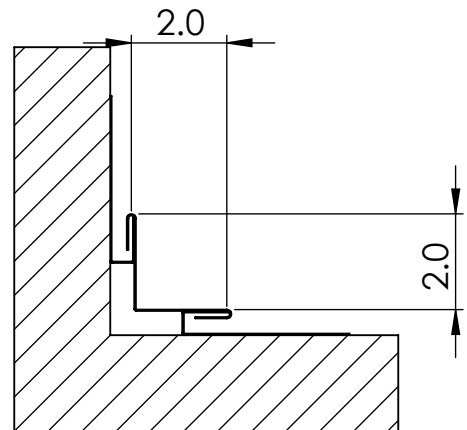
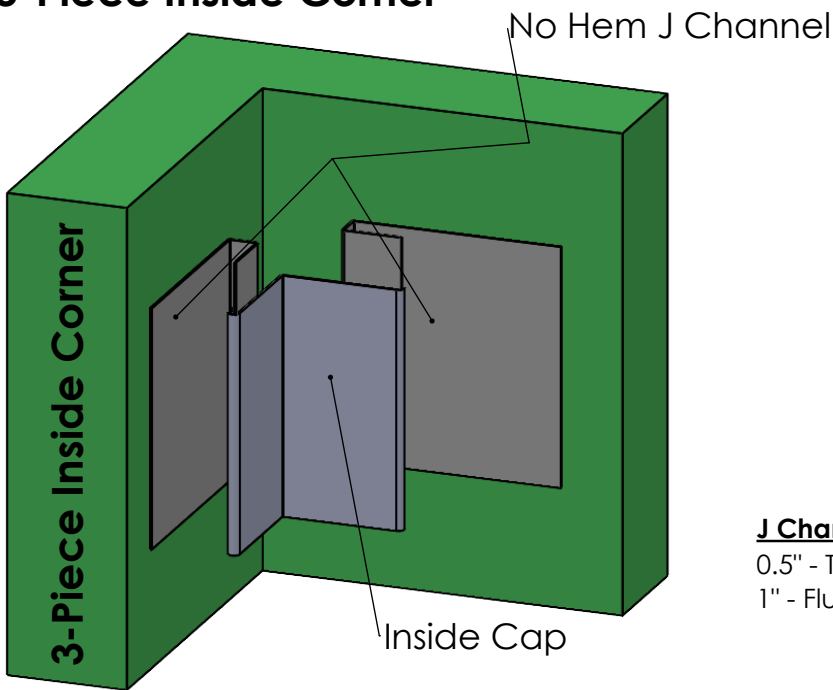
0.5" - Tiles, Flat Lock, and Lay Flat  
 1" - Flush Reveal and Tongue and Groove



Initials: \_\_\_\_\_

Linear 10-ft Quantity: \_\_\_\_\_

## 3-Piece Inside Corner



### J Channel Depth

0.5" - Tiles, Flat Lock, and Lay Flat  
 1" - Flush Reveal and Tongue and Groove

Initials: \_\_\_\_\_


Linear 10-ft Quantity: \_\_\_\_\_

No Hem J-Channel is NOT colored

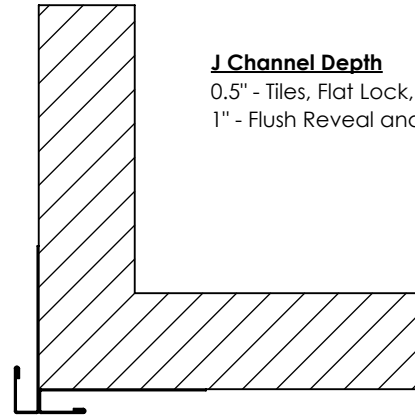
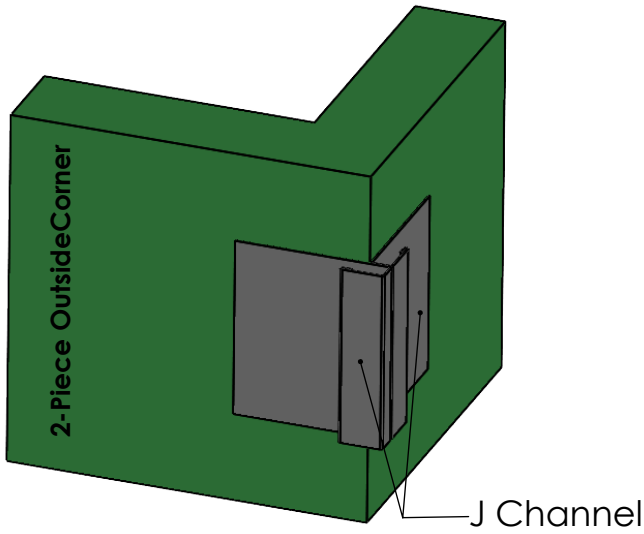
Other Wall Flashing

## Inside Corner Options (2)

2

 <b>MILLENNIUM</b> FORMS	Material	Sizes	Finish	Colors
	Stainless Steel 24 ga.	Sold in 10-ft sections	Bright (BA), Mill (2B)	See color selection chart online
Zalmag 24 ga.	Sold in 10-ft sections	Natural, Pre-Patina II, Black	N/A	

## 2-Piece Outside Corner



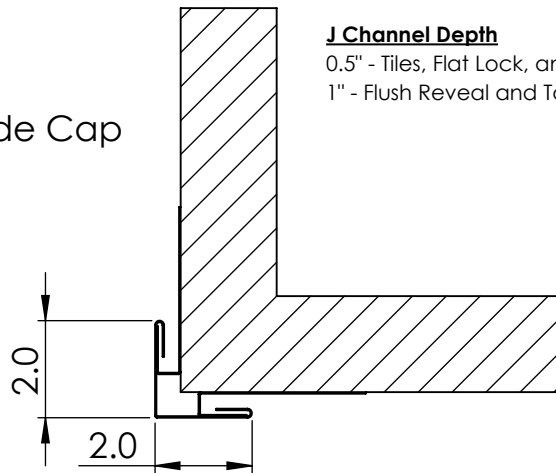
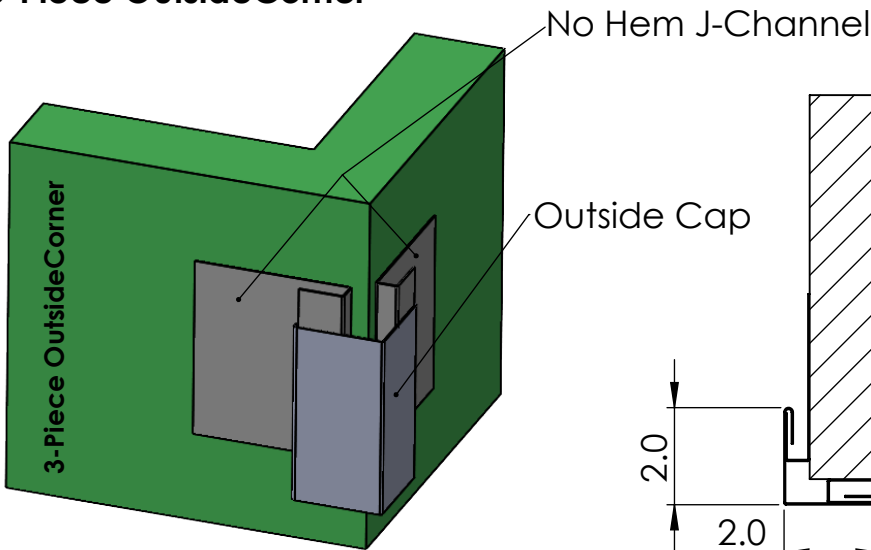
**J Channel Depth**

0.5" - Tiles, Flat Lock, and Lay Flat  
1" - Flush Reveal and Tongue and Groove

Initials: \_\_\_\_\_

Linear 10-ft Quantity: \_\_\_\_\_

## 3-Piece Outside Corner



**J Channel Depth**

0.5" - Tiles, Flat Lock, and Lay Flat  
1" - Flush Reveal and Tongue and Groove

Initials: \_\_\_\_\_

No Hem J-Channel is NOT colored

Linear 10-ft Quantity: \_\_\_\_\_

### Outside Corner Options(2)

3

 <b>MILLENNIUM</b> FORMS	Material	Sizes	Finish	Colors
	Stainless Steel 24 ga.	Sold in 10-ft sections	Bright (BA), Mill (2B)	See color selection chart online
Zalmag 24 ga.	Sold in 10-ft sections	Natural, Pre-Patina II, Black	N/A	

Other Wall Flashing

Project Name: \_\_\_\_\_

Name: \_\_\_\_\_

Project Architect: \_\_\_\_\_

Company: \_\_\_\_\_

Project Completion Date: \_\_\_\_\_

Date: \_\_\_\_\_

Draw Here:

Custom Wall Flashing

Initials: \_\_\_\_\_

Linear 10-ft Quantity: \_\_\_\_\_

Instructions:

1. Draw section view of flashing piece requested
2. Include all critical dimensions
3. Inform Millennium Forms that you would like a custom piece. We will review and confirm feasibility.

### Custom Flashing

4

 <b>MILLENNIUM</b> F O R M S	Material	Sizes	Finish	Colors
	Stainless Steel 24 ga.	Sold in 10-ft sections	Bright (BA), Mill (2B)	See color selection chart online
Zalmag 24 ga.	Sold in 10-ft sections	Natural, Pre-Patina II, Black	N/A	