


Valley Angle: _____

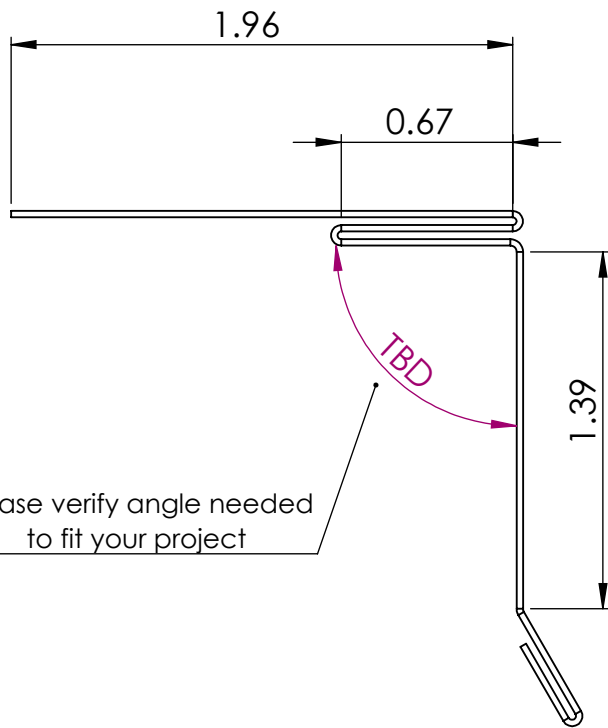
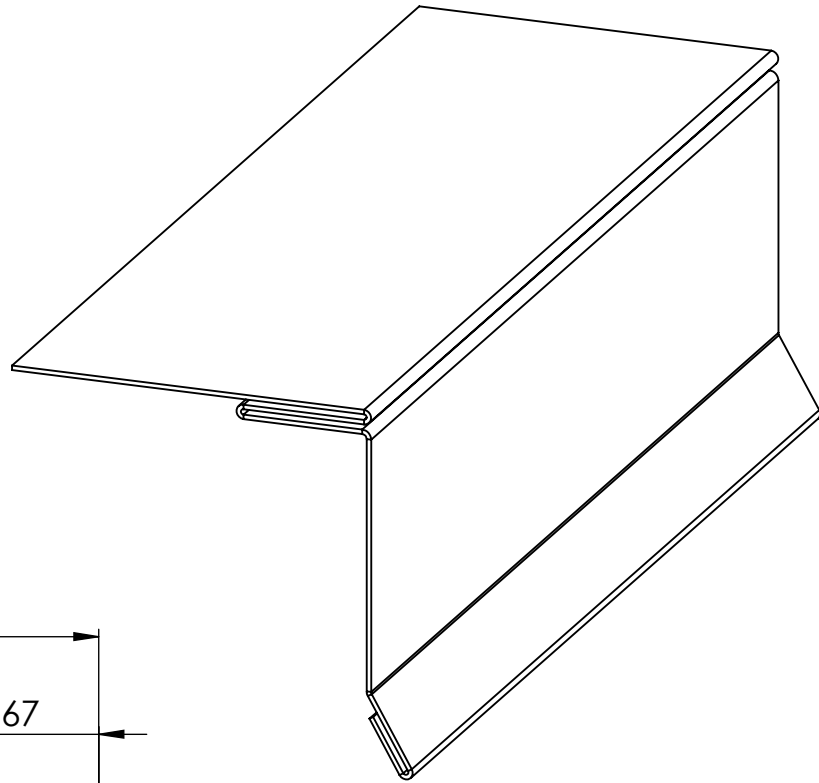
Linear 10-ft Quantity: _____

Initials: _____

Valley

1

 MILLENNIUM F O R M S	Material	Colors	Finish	Sizes
	Stainless Steel	See website for color selection chart	Bright (BA) Mill (2B)	24 gauge (.024" nominal) All flashings fabricated at max 10' length
	Zalmag	N/A	Natural Pre-Patina II Black	24 gauge (.024" nominal) All flashings fabricated at max 10' length



Please verify angle needed to fit your project


Eave Angle: _____

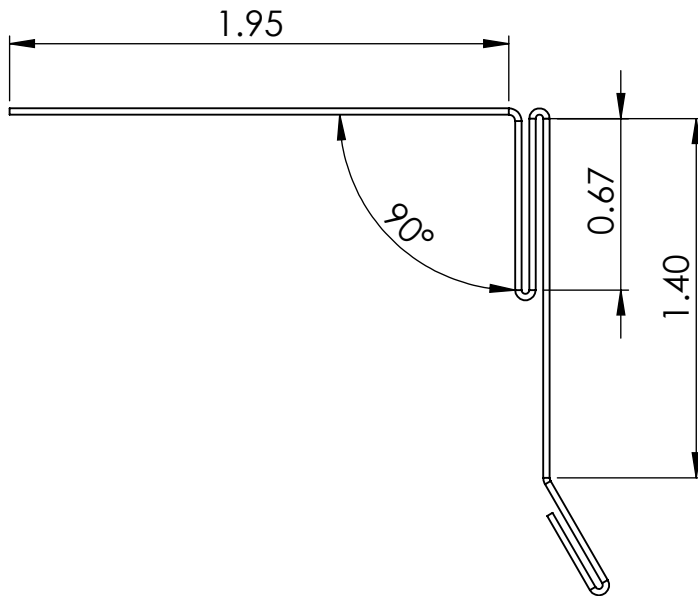
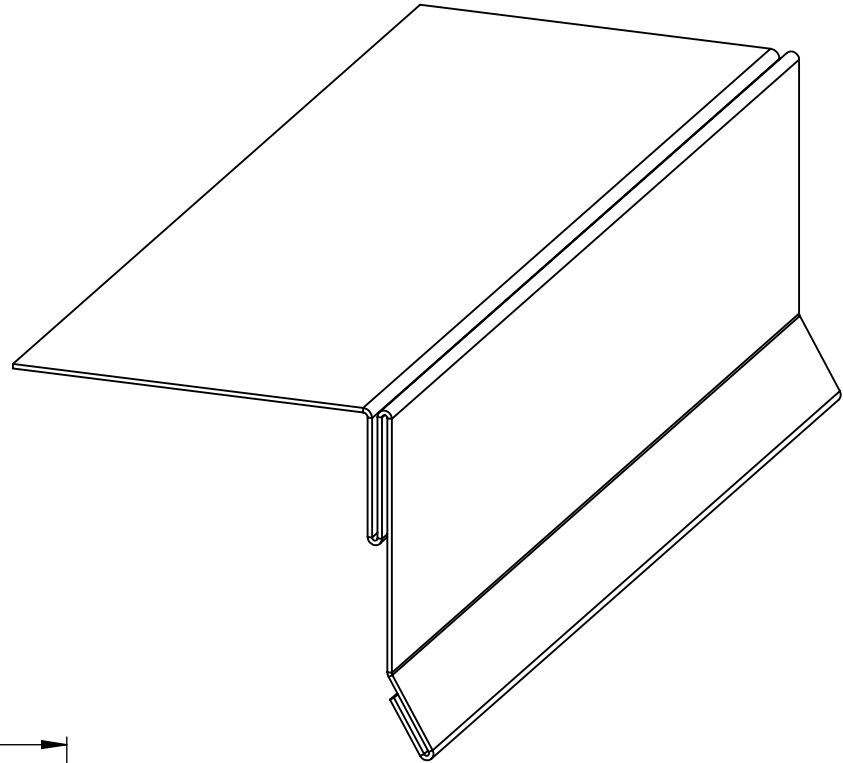
Linear 10-ft Quantity: _____

Initials: _____

Starter Eave

2

 MILLENNIUM F O R M S	Material	Colors	Finish	Sizes
	Stainless Steel	See website for color selection chart	Bright (BA) Mill (2B)	24 gauge (.024" nominal) All flashings fabricated at max 10' length
	Zalmag	N/A	Natural Pre-Patina II Black	24 gauge (.024" nominal) All flashings fabricated at max 10' length




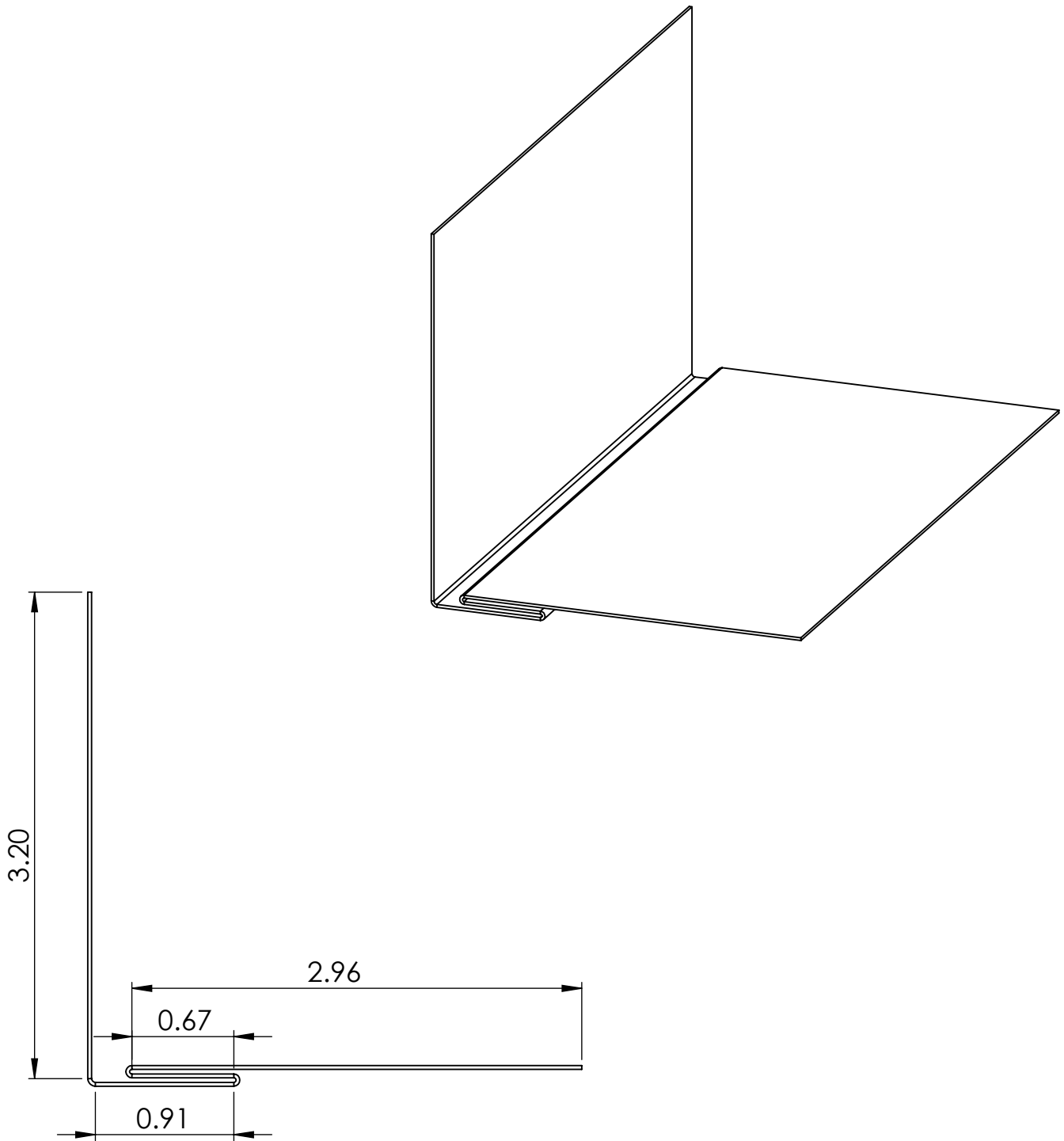
Linear 10-ft Quantity: _____

Initials: _____

Starter Gable

3

	Material	Colors	Finish	Sizes
	Stainless Steel	See website for color selection chart	Bright (BA) Mill (2B)	24 gauge (.024" nominal) All flashings fabricated at max 10' length
Zalmag	N/A	Natural Pre-Patina II Black	24 gauge (.024" nominal) All flashings fabricated at max 10' length	




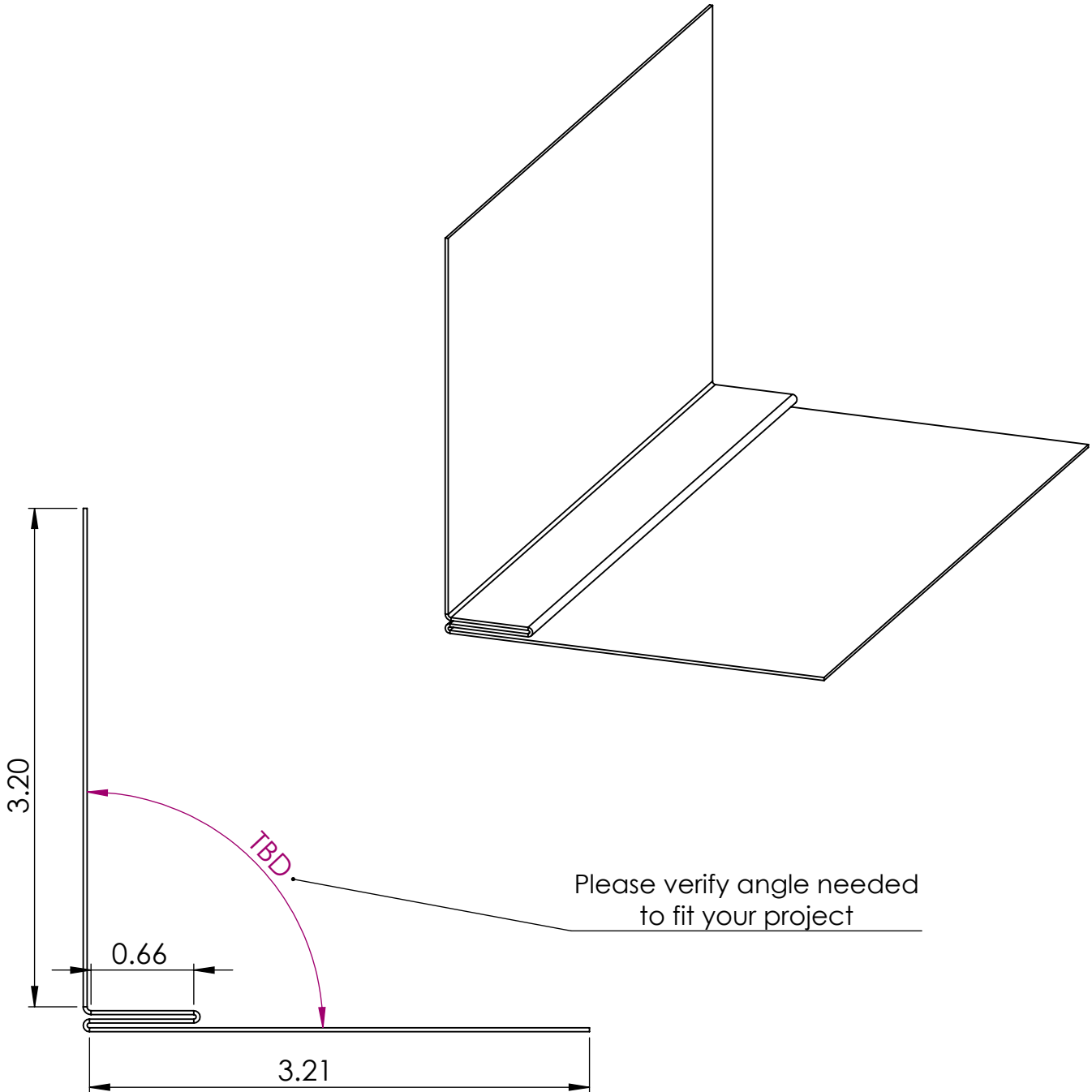
Linear 10-ft Quantity:

Initials:

Side Wall

4

 MILLENNIUM F O R M S	Material	Colors	Finish	Sizes
	Stainless Steel	See website for color selection chart	Bright (BA) Mill (2B)	24 gauge (.024" nominal) All flashings fabricated at max 10' length
	Zalmag	N/A	Natural Pre-Patina II Black	24 gauge (.024" nominal) All flashings fabricated at max 10' length




End Wall Angle: _____

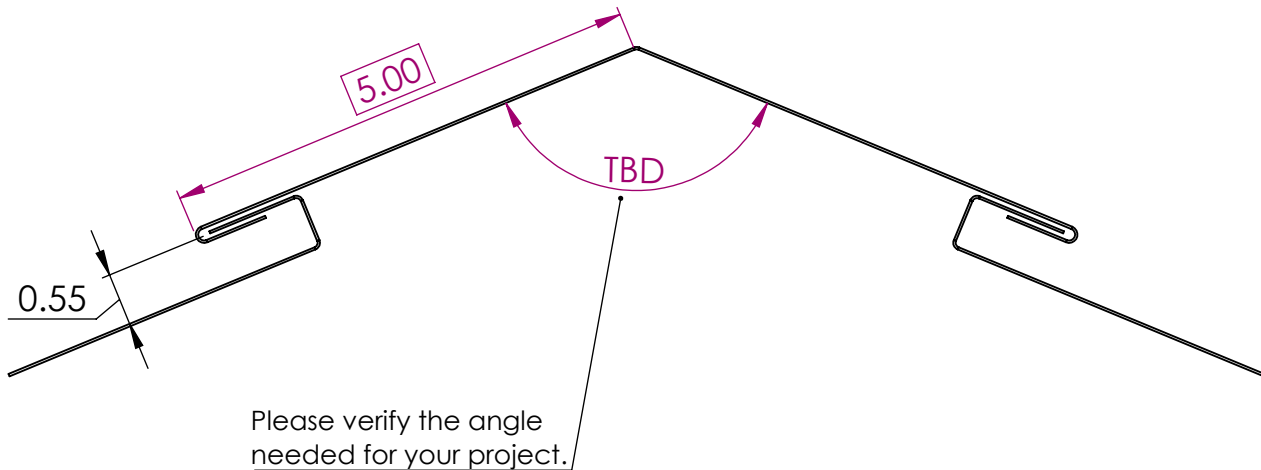
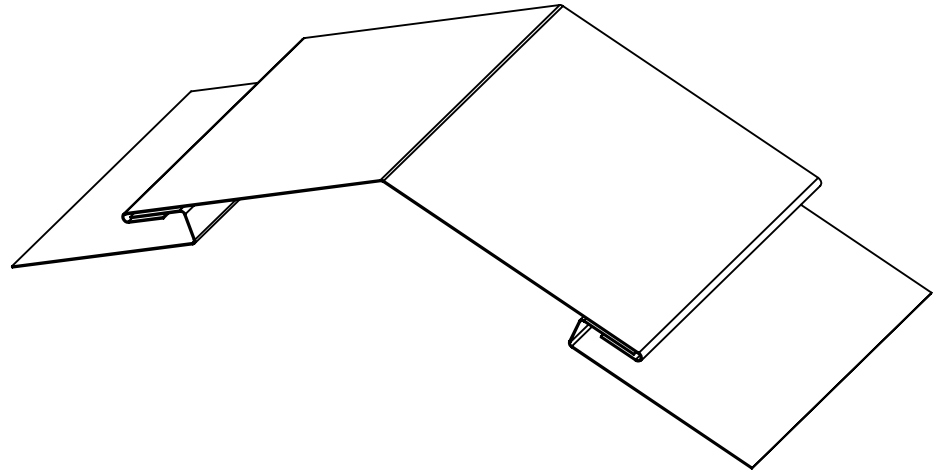
Linear 10-ft Quantity: _____

Initials: _____

End Wall

5

 MILLENNIUM F O R M S	Material	Colors	Finish	Sizes
	Stainless Steel	See website for color selection chart	Bright (BA) Mill (2B)	24 gauge (.024" nominal) All flashings fabricated at max 10' length
	Zalmag	N/A	Natural Pre-Patina II Black	24 gauge (.024" nominal) All flashings fabricated at max 10' length




Hip Angle: _____

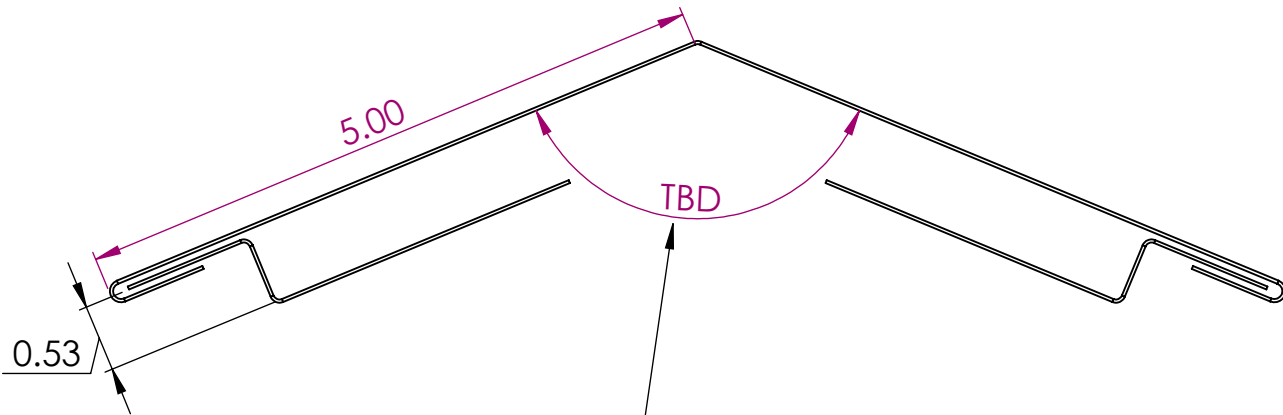
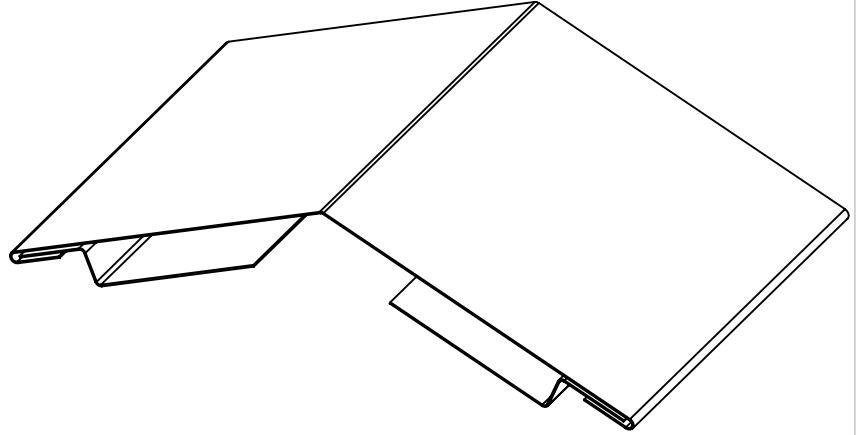
Linear 10ft Quantity: _____

Initials: _____

Hip Cap

6

 MILLENNIUM F O R M S	Material	Colors	Finish	Sizes
	Stainless Steel	See website for color selection chart	Bright (BA) Mill (2B)	24 gauge - 22 gauge (.024" - .03" nominal) operational thickness dependent upon panel sizes 1" Deep Maximum Length: Cassette 116", Butt Joint 120"
Zalmag	N/A	Natural Pre-Patina II Black	24 gauge - 22 gauge (.024" - .03" nominal) operational thickness dependent upon panel sizes 1" Deep Maximum Length: Cassette 116", Butt Joint 120"	



Please verify the angle needed for your project.


Ridge Angle: _____

Linear 10ft Quantity: _____

Initials: _____

Ridge Cap

7

 MILLENNIUM F O R M S	Material	Colors	Finish	Sizes
	Stainless Steel	See website for color selection chart	Bright (BA) Mill (2B)	24 gauge - 22 gauge (.024" - .03" nominal) operational thickness dependent upon panel sizes 1" Deep Maximum Length: Cassette 116", Butt Joint 120"
Zalmag	N/A	Natural Pre-Patina II Black	24 gauge - 22 gauge (.024" - .03" nominal) operational thickness dependent upon panel sizes 1" Deep Maximum Length: Cassette 116", Butt Joint 120"	